



Standard
Tooling For
Haas Lathes



Performance
measured by you



► Visit Command Tooling Systems' on line catalog for Command standard product part file downloads, up-to-date stock levels and our list price instant quoting feature. Command's printed catalogs and fliers are also available for download from the Command Tooling Systems website.

WWW.COMMANDTOOL.COM

Command Tooling Systems is the technology leader in toolholder manufacturing.

Command's driven and bolt-on tool line for Haas machines was developed in cooperation with parent company EWS Tool Technologies, headquartered in Uhingen Germany.

All Live Axial / Radial and Bolt-On tools are designed, manufactured and distributed from our Ramsey Minnesota facility.

Visit our website for more information on Command Tooling Systems products, information downloads and distributors in your area.

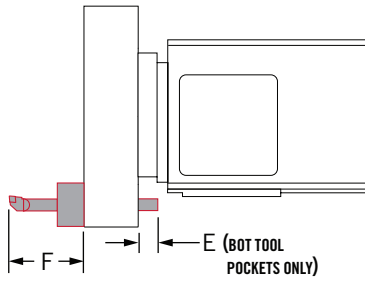
Haas Tooling Table Of Contents

HAAS LATHE TURRET INFO	1-3
VB24 BOLT-ON TOOLS	4-11
Boring Bar Holder	4
Face Grooving.....	5
Facing.....	6
Parting Tool Holder.....	7
Extended Parting Tool.....	8
Extended Twin Turn.....	9
Twin Bore.....	10
Extended Twin Bore.....	11
VB24 BOLT-ON ACCESSORIES	12-13
Tool Wedge Clamp.....	12
Reduction Sleeves.....	13
Coolant Nozzle/Pipe.....	13
VDI40 LIVE TOOL INFO	14-15
VDI40 LIVE TOOLS	16-17
Axial.....	16
Radial.....	17
VDI40 LIVE TOOL ACCESSORIES	18
ER32 Collets/Collet Nut/Wrench.....	18
Coolant Nozzle/Pipe.....	18
BOT/VB HYBRID BOLT-ON TOOLS	19-27
Boring Bar Holder.....	19
Face Grooving.....	20
Parting Tool.....	21
Extended Parting Tool.....	22
Twin Turn.....	23
Extended Twin Turn.....	24
Twin Bore.....	25
Extended Twin Bore.....	26
Turret Wedge Clamp.....	27
BOT/VB HYBRID/BMT 65 BOLT-ON TOOL ACCESSORIES	28-29
Reduction Sleeves.....	28
Tool Wedge Clamp.....	29
Coolant Nozzle/Pipe.....	29
BMT65 BOLT-ON TOOLS	30-39
Boring Bar Holder.....	31
Twin Boring Bar Holder.....	32
Turning Tool.....	33
Split Block Boring Bar Holder.....	34
Twin Turning Tool.....	35
Half-Index Turning Tool.....	36
Half-Index Boring Bar Holder.....	37
Extended Half-Index Twin Boring Bar Holder.....	38
Half-Index Twin Turning Tool.....	39
BMT65 LIVE TOOLS	40-41
Axial.....	40
Radial.....	41
BMT65 MODULAR TOOLS	42-53
Varia Axial.....	43
Varia Radial.....	44
Varia Adapters.....	45
KM50 Turning Tool.....	46
KM50 Twin Turning Tool.....	47
KM50 Boring Bar Holder.....	48
KM50 Twin Boring Bar Holder.....	49
PSC 40 Turning Tool.....	50
PSC 40 Twin Turning Tool.....	51
PSC 40 Boring Bar Holder.....	52
PSC 40 Twin Boring Bar Holder.....	53
RELATED PRODUCTS	54-55
Angle Heads.....	54
Gear Hobbers/ Swivel Heads/ KM Quick Change/Varia.....	55

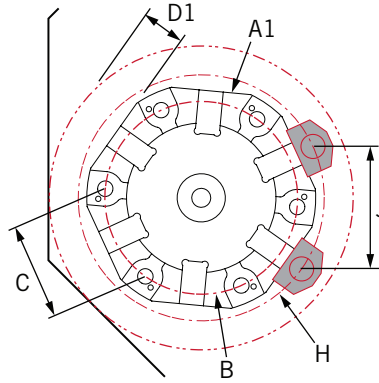
Haas Lathe Turret Specifications



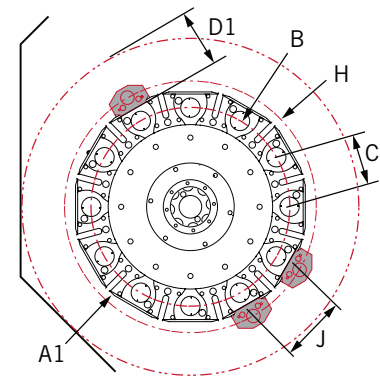
Haas Turret // Specifications



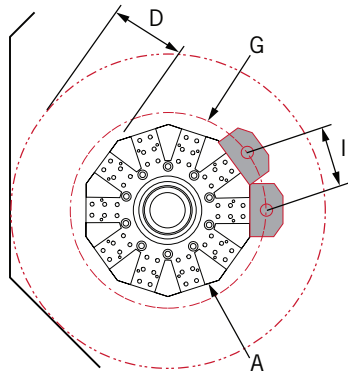
MAX TOOL STICK OUT



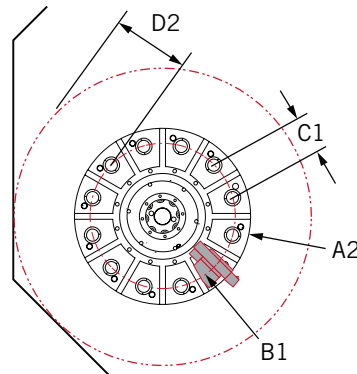
VB HYBRID 12 STATION



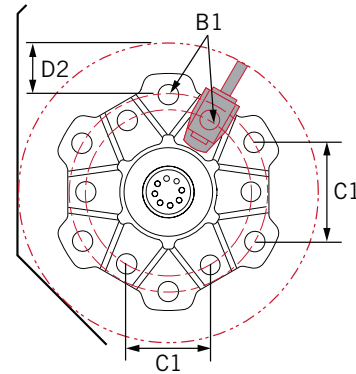
VB24 HYBRID 24 STATION
(ALL SS MODELS)



BOT TURRET



VDI TURRET



ST-10 VDI TURRET

Description	ST-20 ST-20Y	ST-30 ST-30Y	ST-20SS ST-20SSY	DS-30 DS-30Y	ST-30SS, ST-30SSY DS-30SS, DS-30SSY	SL-40 ST-40
A BOT TURRET OD DIAMETER (FLATS)	16.16" (410 mm)	16.16" (410 mm)	—	—	—	22.27" (566 mm)
A1 VB12/24 TURRET OD DIAMETER (FLATS)	18.95" (481 mm)	18.95" (481 mm)	21.45" (545 mm)	18.95" (481 mm)	21.20" (538 mm)	22.27" (566 mm)
A2 VDI TURRET OD TURRET DIAMETER	19.00" (483 mm)	19.00" (483 mm)	—	—	—	23.75" (603 mm)
B VB12/24 TURRET VDI40 POCKET CIRCLE	15.63" (397 mm)	15.63" (397 mm)	18.25" (464 mm)	15.63" (397 mm)	18.25" (464 mm)	20.00" (508 mm)
B1 VDI TURRET VDI40 POCKET CIRCLE	15.63" (397 mm)	15.63" (397 mm)	—	15.63" (397 mm)	—	20.00" (508 mm)
C VB12/24 TURRET VDI40 POCKET SPACING	7.81" (198 mm)	7.81" (198 mm)	4.69" (119 mm)	7.81" (198 mm)	4.69" (119 mm)	10.00" (254 mm)
C1 VDI TURRET VDI40 POCKET SPACING	4.04" (103 mm)	4.04" (103 mm)	—	—	—	5.17" (131 mm)
D BOT TURRET FROM FLATS TC CLEARANCE	6.90" (175 mm)	8.00" (203 mm)	—	—	—	9.00" (229 mm)
D1 VB12/24 TURRET FROM FLATS TC CLEARANCE	5.50" (140 mm)	6.85" (174 mm)	4.50" (114 mm)	6.85" (174 mm)	5.85" (149 mm)	9.00" (229 mm)
D1 VB12/24 TURRET FROM VDI40 CENTER TC CLEARANCE	7.00" (178 mm)	8.35" (212 mm)	6.00" (152 mm)	8.35" (212 mm)	7.35" (187 mm)	10.00" (254 mm)
D2 VDI TURRET FROM VDI40 CENTER TC CLEARANCE	7.00" (178 mm)	8.35" (212 mm)	—	—	—	10.00" (254 mm)
E BOT TURRET BOLT-ON TOOL MAX REAR STICK-OUT	4.00" (102 mm)	4.00" (102 mm)	—	—	—	4.37" (111 mm)
E VB12/24 TURRET BOLT-ON TOOL MAX REAR STICK-OUT	4.00" (102 mm)	4.00" (102 mm)	4.00" (102 mm)	4.00" (102 mm)	4.00" (102 mm)	4.37" (111 mm)
E VDI TURRET VDI40 POCKET MAX TOOL REAR STICK-OUT	0.40" (10.2 mm)	0.40" (10.2 mm)	0.40" (10.2 mm)	0.40" (10.2 mm)	0.40" (10.2 mm)	0.40" (10.2 mm)
F ***REC. MAX TOOL STICK-OUT FROM FACE OF TURRET AT FULL Z TRAVEL	5.00" (127 mm)	5.00" (127 mm)	5.00" (127 mm)	5.00" (127 mm)	6.00" (152 mm)	***
G BOT TURRET ID TOOL POCKET DIAMETER	18.66" (474 mm)	—	—	—	—	25.42" (646 mm)
H VB12/24 TURRET ID TOOL POCKET DIAMETER	21.45" (545 mm)	21.45" (545 mm)	23.20" (589 mm)	21.45" (545 mm)	23.20" (589 mm)	25.42" (646 mm)
I BOT TURRET ID TOOL POCKET SPACING	4.80" (122 mm)	—	—	—	—	6.60" (168 mm)
J VB12/24 TURRET ID TOOL POCKET SPACING	10.72" (272 mm)	10.72" (272 mm)	6.00" (152 mm)	10.72" (272 mm)	6.00" (152 mm)	12.76" (324 mm)

***EXCEEDING THIS STICK-OUT MAY RESULT IN COLLISION WITH THE FRONT BULKHEAD
***A 25" (635 mm) DEEP POCKET IN THE ST-40 PROVIDES CLEARANCE FOR BORING BARS AND LONG TOOLS.

TURRET OPTIONS FOR HAAS LATHE MACHINES

TURRET TYPE AND MACHINE

BOT

BOT TURRET

12 Station bolt-on tool turret for turning tools and boring bars. The BOT turret accepts tools around the perimeter, with radial slots for mounting turning tools in the left or right hand direction.



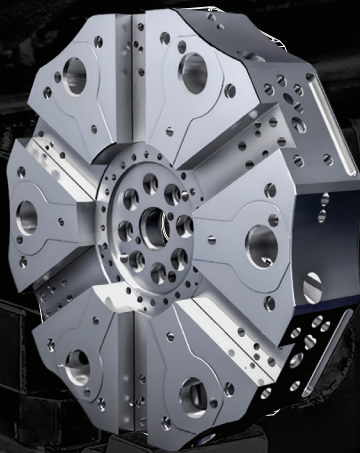
STANDARD
TURRET
ON

- + ST-20
- + ST-25
- + ST-30
- + ST-35

VB HYBRID

12 STATION HYBRID

12 Station hybrid turret for VDI40 tools, live tools and standard bolt-on tools. The VB Hybrid has 6 VDI stations and 6 bolt-on stations; radial slots for turning tools and perimeter stations for ID tools.



STANDARD
TURRET
ON

- + ST-20Y
- + ST-25Y
- + ST-30Y
- + ST-35Y
- + DS-30
- + DS-30Y

OPTIONAL
TURRET
ON

- + ST-20
- + ST-25
- + ST-30
- + ST-35

VB24

24 STATION HYBRID

Standard turret on all Super Speed (SS) models. The 24 station hybrid turret accepts VDI40 tools, live tools and standard bolt-on tools. The VB24 has 12 VDI stations and 12 bolt-on stations; radial slots for turning tools and perimeter stations for ID tools.



STANDARD
TURRET
ON

- + ST-20SS
- + ST-20SSY
- + ST-30SS
- + ST-30SSY
- + DS-30SS
- + DS-30SSY

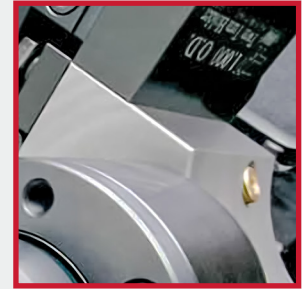
THE VB24 TURRET
IS NOT AVAILABLE AS AN OPTIONAL TURRET

FULL RANGE OF TOOLS FOR BOT, VB HYBRID, VB24, AND BMT65

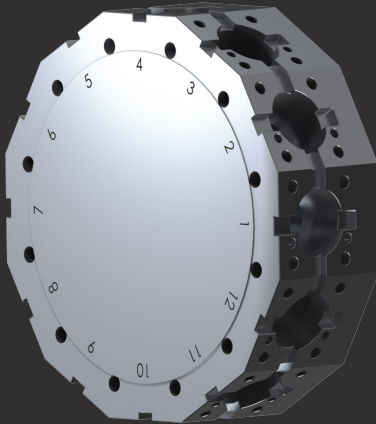
Haas ST/DS series turning center turrets are finish-machined as a complete unit. Keying off the turret's centerline, all critical features of each station are machined using single-axis moves, then the turret is indexed to the next station - ensuring the absolute concentricity of each station with the turret's true center. This reduces positioning variation from tool to tool by more than 90%. The results are easier job set up, higher accuracy, and better repeatability.



On-The-Fly Indexing - This standard feature allows tool changes on the fly as the axes retract from the part. Combined with high-speed rapid movements, this results in faster tool changes and shorter cycle times by reducing non-cutting time.



BMT65



12 STATION BMT65

The 12 Station base mount tooling turret accepts bolt-on tools and live tools.

Standard Turret On

- + ST-20Y
- + ST-25Y
- + ST-30Y
- + ST-35Y
- + DS-30Y

Optional Turret On

- + ST-20
- + ST-25
- + ST-30
- + ST-35

VDI



12 STATION VDI

12 Station VDI Turret accepts standard VDI40 tools, including axial and radial live tools.

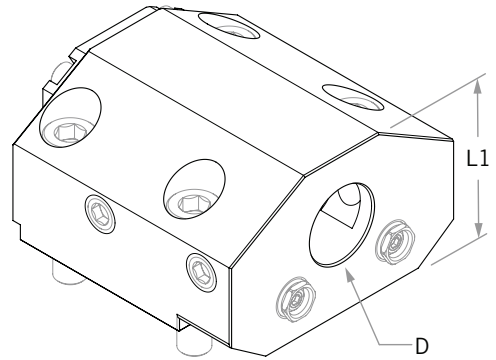
For more details on live tooling, see page 14.

The 12 Station VDI turret is an optional turret for:

- + ST-20
- + ST-25
- + ST-30
- + ST-35

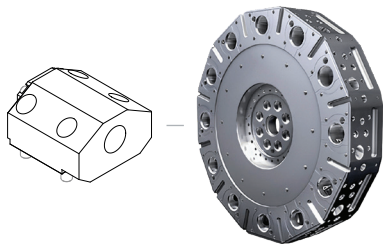
Boring Bar Holder

- ▶ Bolt-On Boring Bar Holder for VB24 24 Station Turret. Inch & metric available. See tool/turret diagram below for compatible machines. Contact support@commandtool.com for more information.



Boring Bar - IN	Part No.	D	L1	Mfr. Part No. Equivalent
	19.BMT25.4HAASV24	1.00"	1.97"	BOT24ID-1
	19.BMT31.75HAASV24	1.25"	1.97"	BOT24ID-1_1/4

Boring Bar - MM	Part No.	D	L1	Mfr. Part No. Equivalent
	19.BMT25HAASV24	25mm	50mm	BOT24MID-25
	19.BMT32HAASV24	32mm	50mm	BOT24MID-32



VB24 Turret
 Standard For Machines:
 + ST-20SS, ST-20SSY
 + ST-30SS, ST-30SSY
 + DS-30SS, DS-30SSY

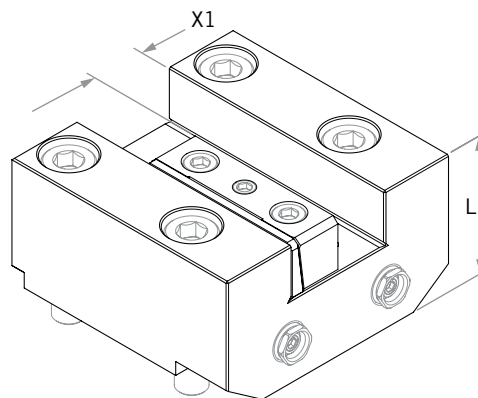
ACCESSORIES

REDUCTION SLEEVES	COOLANT NOZZLE	COOLANT PIPE
13	13	13

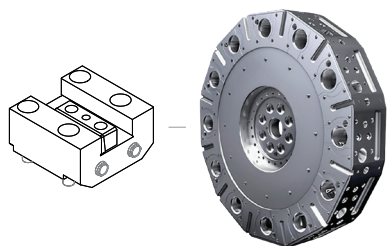
+ Coolant Option: Internal Coolant/External Coolant

Face Grooving

- ▶ Bolt-On Face Groove Holder for VB24 24 Station Turret. Inch & metric available. See tool/turret diagram below for compatible machines. Contact support@commandtool.com for more information.



Face Grooving - IN	Part No.	X1	L1	Mfr. Part No. Equivalent
	5.BMT19.05HAASV24	0.75"	1.70"	BOT24FG-3/4
Face Grooving - MM	Part No.	X1	L1	Mfr. Part No. Equivalent
	5.BMT20HAASV24	20mm	43mm	BOT24MFG-20



VB24 Turret
Standard For Machines:

- + ST-20SS, ST-20SSY
- + ST-30SS, ST-30SSY
- + DS-30SS, DS-30SSY

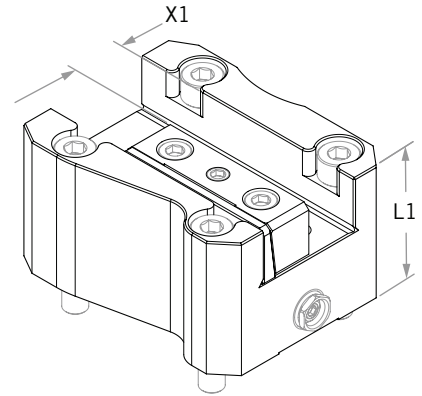
ACCESSORIES

WEDGE CLAMPS	COOLANT NOZZLE	COOLANT PIPE
12	13	13

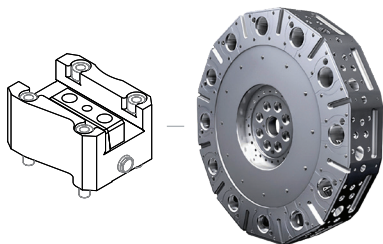
- + Coolant Option: External Coolant

Facing

- ▶ Bolt-On Facing Holder for VB24 24 Station Turret. Inch & metric available. See tool/turret diagram below for compatible machines. Contact support@commandtool.com for more information.



Facing - IN	Part No.	X1	L1	Mfr. Part No. Equivalent
	5.BMT19.05HAASV24-TYP2	0.75"	1.88"	BOT24ODF-3/4
Facing - MM	Part No.	X1	L1	Mfr. Part No. Equivalent
	5.BMT20HAASV24-TYP2	20mm	48mm	BOT24MODF-20



VB24 Turret
 Standard For Machines:
 + ST-20SS, ST-20SSY
 + ST-30SS, ST-30SSY
 + DS-30SS, DS-30SSY

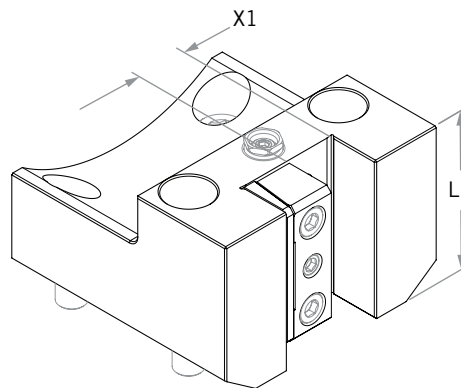
ACCESSORIES

WEDGE CLAMPS 12	COOLANT NOZZLE 13	COOLANT PIPE 13

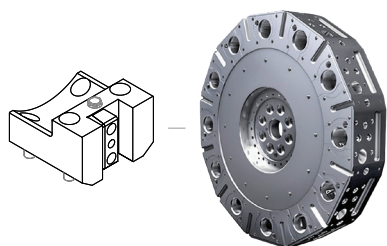
+ Coolant Option: External Coolant

Parting Tool Holder

- ▶ Bolt-On Parting Toolholder for VB24 24 Station Turret. Inch & metric available. See tool/turret diagram below for compatible machines. Contact support@commandtool.com for more information.



Parting Tool - IN	Part No.	X1	L1	Mfr. Part No. Equivalent
	4.BMT19.05HAASV24X58.4	0.75"	2.09"	BOT240D-3/4
Parting Tool - MM	Part No.	X1	L1	Mfr. Part No. Equivalent
	4.BMT20HAASV24X58.4	20mm	53mm	BOT24MOD-20



VB24 Turret
Standard For Machines:
+ ST-20SS, ST-20SSY
+ ST-30SS, ST-30SSY
+ DS-30SS, DS-30SSY

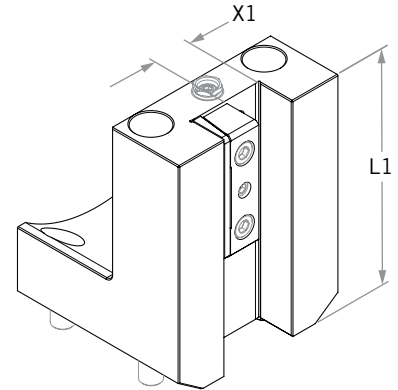
ACCESSORIES

WEDGE CLAMPS	COOLANT NOZZLE	COOLANT PIPE
12	13	13

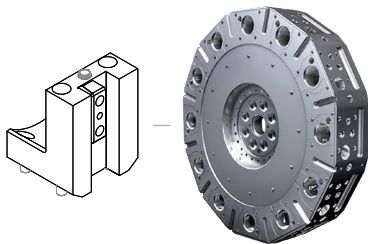
+ Coolant Option: External Coolant

Extended Parting Tool

- ▶ Bolt-On Extended Parting Toolholder for VB24 24 Station Turret. Inch & metric available. See tool/turret diagram below for compatible machines. Contact support@commandtool.com for more information.



Extended Parting Tool - IN	Part No.	X1	L1	Mfr. Part No. Equivalent
	4.BMT19.05HAASV24X115.6	0.75"	4.34"	BOT24EXTOD-3/4
Extended Parting Tool - MM	Part No.	X1	L1	Mfr. Part No. Equivalent
	4.BMT20HAASV24X115.6	20mm	110mm	BOT24EXTMOD-20



VB24 Turret
 Standard For Machines:
 + ST-30SS, ST-30SSY
 + DS-30SS, DS-30SSY

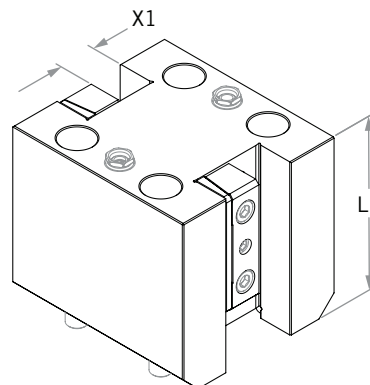
ACCESSORIES

WEDGE CLAMPS 12	COOLANT NOZZLE 13	COOLANT PIPE 13

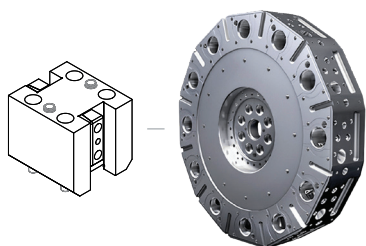
+ Coolant Option: External Coolant

Extended Twin Turn

- ▶ Bolt-On Extended Twin Turn Toolholder for VB24 24 Station Turret. Inch & metric available. See tool/turret diagram below for compatible machines. Contact support@commandtool.com for more information.



Extended Twin Turn - IN	Part No.	X1	L1	Mfr. Part No. Equivalent
	15.BMT19.05HAASV24	0.75"	3.31"	BOT24EXTOD-3/4T
Extended Twin Turn - MM	Part No.	X1	L1	Mfr. Part No. Equivalent
	15.BMT20HAASV24	20mm	84mm	BOT24EXTMOD-20T



VB24 Turret
 Standard For Machines:
 + ST-20SS, ST-20SSY
 + ST-30SS, ST-30SSY
 + DS-30SS, DS-30SSY

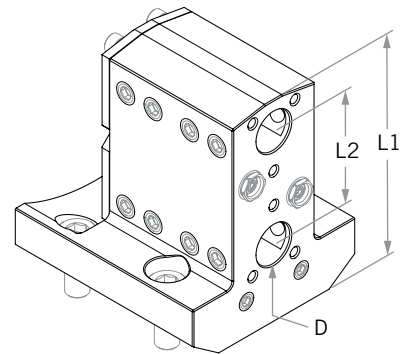
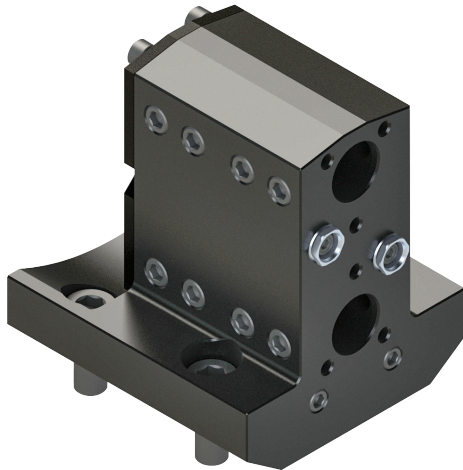
ACCESSORIES

WEDGE CLAMPS	COOLANT NOZZLE	COOLANT PIPE
12	13	13

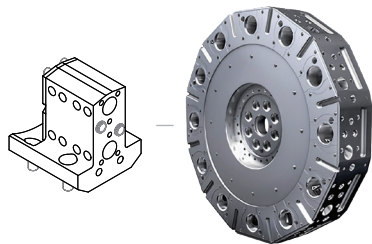
+ Coolant Option: External Coolant

Twin Bore

- ▶ Bolt-On Twin Boring Bar Holder for VB24 24 Station Turret. Inch & metric available. See tool/turret diagram below for compatible machines. Contact support@commandtool.com for more information.



Twin Bore - IN	Part No.	D	L1	L2	Mfr. Part No. Equivalent
	19.BMT19.05HAASV24X31.75X86.36	0.75"	4.00"	2.15"	BOT24ID-3/4T
Twin Bore - MM	Part No.	D	L1	L2	Mfr. Part No. Equivalent
	19.BMT20HAASV24X31.75X86.36	20mm	101.60mm	54.60mm	BOT24MID-20T



VB24 Turret
 Standard For Machines:
 + ST-20SS, ST-20SSY
 + ST-30SS, ST-30SSY
 + DS-30SS, DS-30SSY

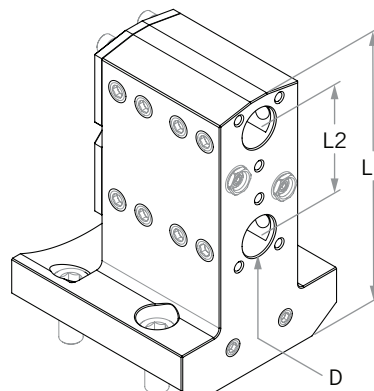
ACCESSORIES

REDUCTION SLEEVES	COOLANT NOZZLE	COOLANT PIPE
13	13	13

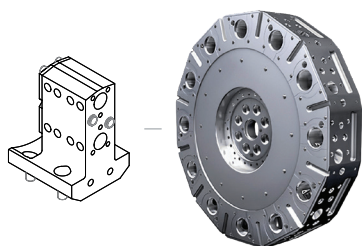
+ Coolant Option: Internal Coolant/External Coolant

Extended Twin Bore

- ▶ Bolt-On Extended Twin Boring Bar Holder for VB24 24 Station Turret. Inch & metric available. See tool/turret diagram below for compatible machines. Contact support@commandtool.com for more information.



Extended Twin Bore - IN	Part No.	D	L1	L2	Mfr. Part No. Equivalent
	19.BMT19.05HAASV24X60.40X115.01	0.75"	5.13"	2.15"	BOT24EXTID-3/4T
Extended Twin Bore - MM	Part No.	D	L1	L2	Mfr. Part No. Equivalent
	19.BMT20HAASV24X60.40X115.01	20mm	130.30mm	54.60mm	BOT24EXTMID-20T



VB24 Turret
Standard For Machines:
+ ST-30SS, ST-30SSY
+ DS-30SS, DS-30SSY

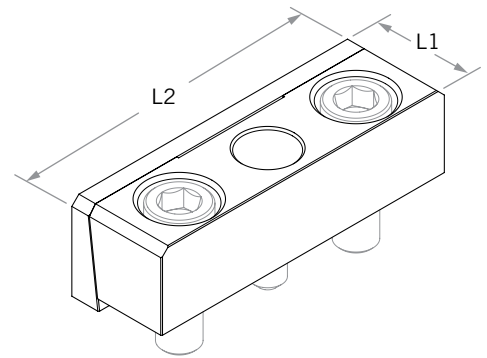
ACCESSORIES

REDUCTION SLEEVES	COOLANT NOZZLE	COOLANT PIPE
13	13	13

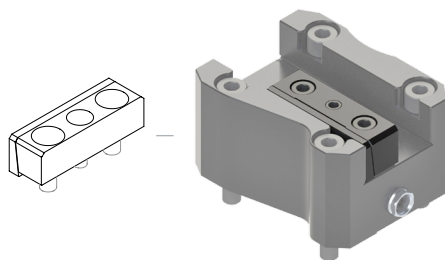
- + Coolant Option: Internal Coolant/External Coolant

Tool Wedge Clamp

- ▶ Wedge Clamp for VB24 24 Station Turret Tools (tools only). Inch & metric available. Included with all bolt-on tools requiring tool wedge clamp. Also available to order separately, please contact support@commandtool.com.



Wedge Clamp - IN	Part No.	L1 (min)	L2	Mfr. Part No. Equivalent
	EWS-10488	0.75"	2.36"	
Wedge Clamp - MM	Part No.	L1 (min)	L2	Mfr. Part No. Equivalent
	EWS-10489	20mm	60mm	



Wedge Clamp

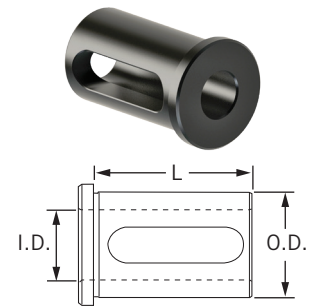
+ VB24 TOOLS ONLY

Reduction Sleeves

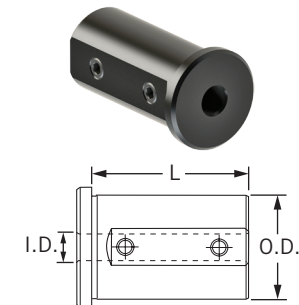
- ▶ Reduction Sleeves for VB24 Boring Bar Holders. Two styles are available: Set Screw for smaller bores and Slotted for larger bores. Please contact support@commandtool.com for more information.

ITEM NUMBER	O.D.	I.D.	L	SLOTTED	SET SCREW
28.19.0506.35S	0.750 (19.05 mm)	0.250 (06.35 mm)	1.500 (31.75 mm)		*
28.19.0507.94S	0.750 (19.05 mm)	0.313 (07.94 mm)	1.500 (31.75 mm)		*
28.19.0506.35SL	0.750 (19.05 mm)	0.250 (06.35 mm)	2.000 (50.80 mm)		*
28.19.0507.94SL	0.750 (19.05 mm)	0.313 (07.94 mm)	2.000 (50.80 mm)		*
28.25.4006.35S	1.000 (25.40 mm)	0.250 (06.35 mm)	1.750 (44.45 mm)		*
28.25.4007.94S	1.000 (25.40 mm)	0.313 (07.94 mm)	1.750 (44.45 mm)		*
28.25.4009.53S	1.000 (25.40 mm)	0.375 (09.53 mm)	1.750 (44.45 mm)		*
28.25.4012.70S	1.000 (25.40 mm)	0.500 (12.70 mm)	1.750 (44.45 mm)		*
28.25.4015.88S	1.000 (25.40 mm)	0.625 (15.88 mm)	1.750 (44.45 mm)	*	
28.25.4019.05S	1.000 (25.40 mm)	0.750 (19.05 mm)	1.750 (44.45 mm)	*	
28.25.4006.35SL	1.000 (25.40 mm)	0.250 (06.35 mm)	2.750 (69.85 mm)		*
28.25.4007.94SL	1.000 (25.40 mm)	0.313 (07.94 mm)	2.750 (69.85 mm)		*
28.25.4009.53SL	1.000 (25.40 mm)	0.375 (09.53 mm)	2.750 (69.85 mm)		*
28.25.4012.70SL	1.000 (25.40 mm)	0.500 (12.70 mm)	2.750 (69.85 mm)		*
28.25.4015.88SL	1.000 (25.40 mm)	0.625 (15.88 mm)	2.750 (69.85 mm)	*	
28.25.4019.05SL	1.000 (25.40 mm)	0.750 (19.05 mm)	2.750 (69.85 mm)	*	
28.31.7507.94S	1.250 (31.75 mm)	0.313 (07.94 mm)	2.125 (53.98 mm)		*
28.31.7509.53S	1.250 (31.75 mm)	0.375 (09.53 mm)	2.125 (53.98 mm)		*
28.31.7512.70S	1.250 (31.75 mm)	0.500 (12.70 mm)	2.125 (53.98 mm)		*
28.31.7515.88S	1.250 (31.75 mm)	0.625 (15.88 mm)	2.125 (53.98 mm)	*	
28.31.7519.05S	1.250 (31.75 mm)	0.750 (19.05 mm)	2.125 (53.98 mm)	*	
28.31.7525.40S	1.250 (31.75 mm)	1.000 (25.40 mm)	2.125 (53.98 mm)	*	
28.31.7507.94SL	1.250 (31.75 mm)	0.313 (07.94 mm)	3.250 (82.55 mm)		*
28.31.7509.53SL	1.250 (31.75 mm)	0.375 (09.53 mm)	3.250 (82.55 mm)		*
28.31.7512.70SL	1.250 (31.75 mm)	0.500 (12.70 mm)	3.250 (82.55 mm)		*
28.31.7515.88SL	1.250 (31.75 mm)	0.625 (15.88 mm)	3.250 (82.55 mm)	*	
28.31.7519.05SL	1.250 (31.75 mm)	0.750 (19.05 mm)	3.250 (82.55 mm)	*	
28.31.7525.40SL	1.250 (31.75 mm)	1.000 (25.40 mm)	3.250 (82.55 mm)	*	

SLOTTED REDUCTION SLEEVE



SET SCREW REDUCTION SLEEVE

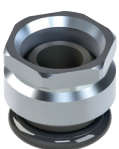


View Reduction Sleeve Stock Levels And List Price On Our [WEBSITE](#)

- + Inside of flange face is ground to ensure full contact to tool block
- + Made from 8620 steel
- + All bushings are case hardened
- + I.D. and O.D. are precision ground to H6 tolerance
- + Laser marked for easy identification

▶ Coolant Nozzle

Part No. **EWS-10384**



Coolant Nozzle for Bolt-On Tools. Threaded coolant ball to accommodate copper coolant pipes. Available to order separately, please contact support@commandtool.com.

▶ Coolant Pipe

Part No. **KV6 50X1XM6**



Copper Coolant Pipe for Bolt-On Tool Coolant Nozzles. Available to order separately, please contact support@commandtool.com.

LIVE TOOL TURRET OPTIONS FOR HAAS LATHE MACHINES

TURRET TYPE LIVE TOOL COUPLING LENGTH AND MACHINE

LONG 130.25mm

VDI



SHORT COUPLING LENGTH

105mm

- + SL-20
- + SL-30

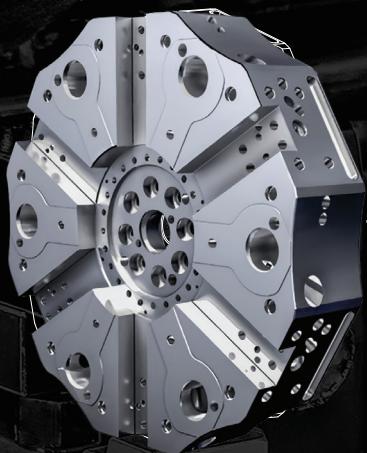
MEDIUM COUPLING LENGTH

118mm

- + ST-20
- + ST-20Y
- + ST-25
- + ST-25Y
- + ST-30
- + ST-30Y
- + ST-35
- + ST-35Y

MEDIUM 117.55mm

VB HYBRID



MEDIUM COUPLING LENGTH

118mm

- + ST-20
- + ST-20Y
- + ST-25
- + ST-25Y
- + ST-30
- + ST-30Y
- + ST-35
- + ST-35Y
- + DS-30
- + DS-30Y

SHORT 104.85mm

LONG COUPLING LENGTH

130mm

- + ST-40
- + ST-40L

VB24

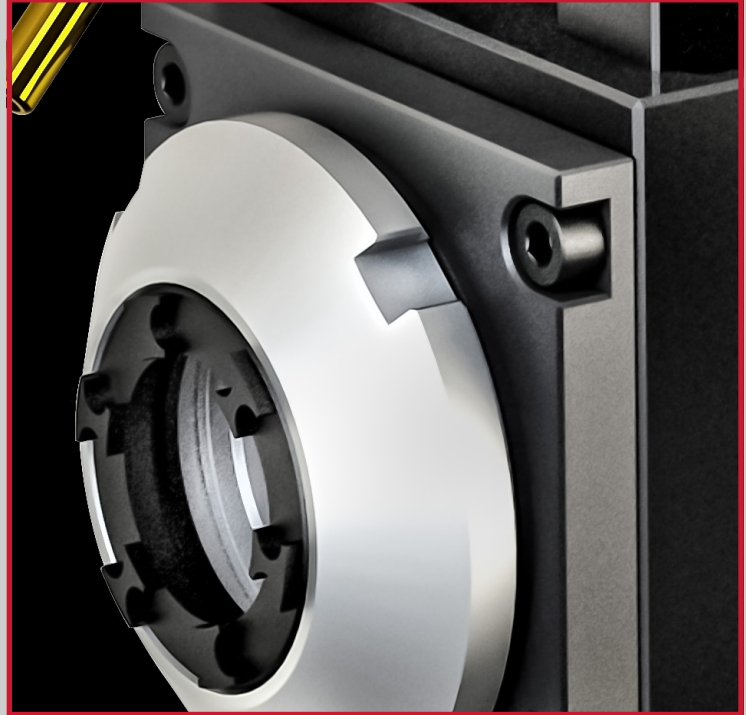


MEDIUM COUPLING LENGTH

118mm

- + ST-20SS
- + ST-20SSY
- + ST-30SS
- + ST-30SSY
- + DS-30SS
- + DS-30SSY

AXIAL AND RADIAL LIVE TOOL FEATURES



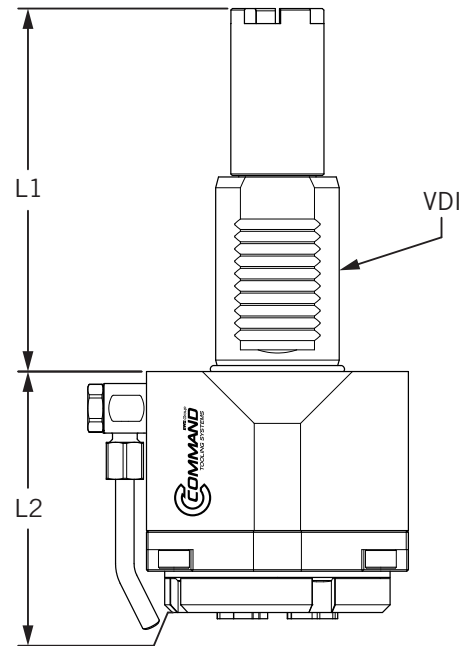
Oversized flange is integral to the spindle, providing debris protection for the front seal and bearings.



Collet pocket run-out is certified less than 0.005 mm—industry leading precision.

Axial

- ▶ Axial live tools for VDI, VB Hybrid & VB24 Turrets. Short, medium and long coupling lengths available. Contact support@commandtool.com for more information.



ER32 Axial - MM	Part No.	Coupling Length	L1	L2	VDI	Collet Nut Type
	40.4032HASSL20IM	SHORT	104.85mm	78mm	40	Internal
	40.4032HASSL20	SHORT	104.85mm	112mm	40	External
	40.4032HASSL40IM	MEDIUM	117.55mm	78mm	40	Internal
	40.4032HASSL40	MEDIUM	117.55mm	112mm	40	External
	40.4032HASSL40HIM	LONG	130.25mm	78mm	40	Internal
	40.4032HASSL40H	LONG	130.25mm	112mm	40	External

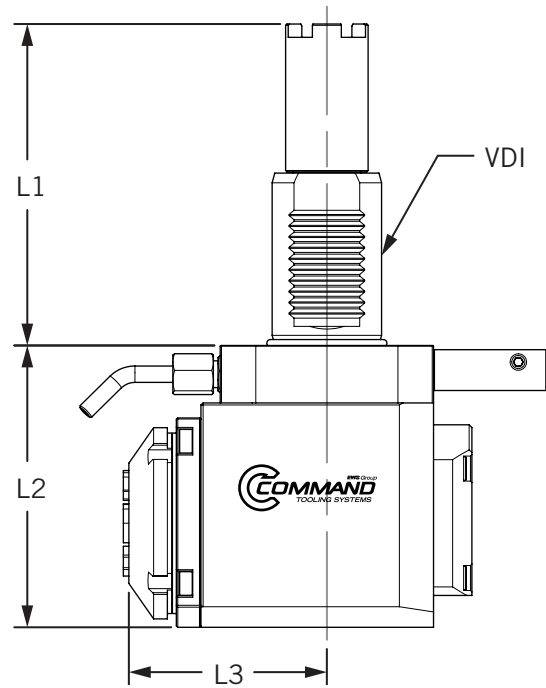
- + Coolant Option: External Coolant
- + Uses standard ER32 collets
- + 1:1 drive ratio
- + 8,000 max RPM
- + Run-out ≤ 0.005 mm

ACCESSORIES

COLLETS & ACCESSORIES	COOLANT KIT	COOLANT PIPE
18	18	18

Radial

- ▶ Radial live tools for VDI, VB Hybrid & VB24 Turrets. Short, medium and long coupling lengths available. Contact support@commandtool.com for more information.



ER32 Radial - MM	Part No.	Coupling Length	L1	L2	L3	VDI	Collet Nut Type
	60.4032HAASSL20LIM	SHORT	104.85 mm	103 mm	72 mm	40	Internal
	60.4032HAASSL20L	SHORT	104.85 mm	103 mm	84 mm	40	External
	60.4032HAASSL40LIM	MEDIUM	117.55 mm	103 mm	72 mm	40	Internal
	60.4032HAASSL40L	MEDIUM	117.55 mm	103 mm	84 mm	40	External
	60.4032HAASSL40LGL	MEDIUM	117.55 mm	103 mm	84 mm	40	External
	60.4032HAASSL40HLIM	LONG	130.25 mm	103 mm	72 mm	40	Internal
	60.4032HAASSL40HL	LONG	130.25 mm	103 mm	84 mm	40	External

- + Coolant Option: External Coolant
- + Uses standard ER32 collets
- + 1:1 drive ratio
- + 8,000 max RPM
- + Run-out ≤ 0.005 mm

ACCESSORIES

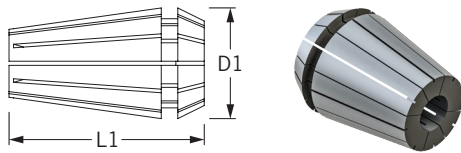
COLLETS & ACCESSORIES	COOLANT KIT	COOLANT PIPE
18	18	18

Accessories

- ER Standard collets have a 0.0002" T.I.R., with a clamping range of 0.039". Collet nut wrenches come with a drive square to adapt to torque wrench. Please contact support@commandtool.com for more information.

ER32 Standard Collets Inch				
Part Number	Size Range	Ref. Size Range (mm)	L1	D1
ER32-F125	0.086 - 0.125	2.2 - 3.2	1.575	1.313
ER32-F187	0.148 - 0.187	3.8 - 4.7	1.575	1.313
ER32-F250	0.211 - 0.250	5.4 - 6.4	1.575	1.313
ER32-F312	0.273 - 0.312	6.9 - 7.9	1.575	1.313
ER32-F375	0.336 - 0.375	8.5 - 9.5	1.575	1.313
ER32-F437	0.398 - 0.437	10.1 - 11.1	1.575	1.313
ER32-F500	0.461 - 0.500	11.7 - 12.7	1.575	1.313
ER32-F562	0.523 - 0.562	13.3 - 14.3	1.575	1.313
ER32-F625	0.586 - 0.625	14.9 - 15.9	1.575	1.313
ER32-F687	0.648 - 0.687	16.5 - 17.4	1.575	1.313
ER32-F750	0.711 - 0.750	18.0 - 19.0	1.575	1.313

Inch Collet Set Part No. **ER32-11ST**



ER32 Standard Collets Metric				
Part Number	Size Range	Ref. Size Range (in)	L1	D1
ER32-0300	2.0 - 3.0	0.079 - 0.118	1.575	1.313
ER32-0400	3.0 - 4.0	0.118 - 0.157	1.575	1.313
ER32-0500	4.0 - 5.0	0.157 - 0.197	1.575	1.313
ER32-0600	5.0 - 6.0	0.197 - 0.236	1.575	1.313
ER32-0700	6.0 - 7.0	0.236 - 0.276	1.575	1.313
ER32-0800	7.0 - 8.0	0.276 - 0.315	1.575	1.313
ER32-0900	8.0 - 9.0	0.315 - 0.354	1.575	1.313
ER32-1000	9.0 - 10.0	0.354 - 0.394	1.575	1.313
ER32-1100	10.0 - 11.0	0.394 - 0.433	1.575	1.313
ER32-1200	11.0 - 12.0	0.433 - 0.472	1.575	1.313
ER32-1300	12.0 - 13.0	0.472 - 0.512	1.575	1.313
ER32-1400	13.0 - 14.0	0.512 - 0.551	1.575	1.313
ER32-1500	14.0 - 15.0	0.551 - 0.591	1.575	1.313
ER32-1600	15.0 - 16.0	0.591 - 0.630	1.575	1.313
ER32-1700	16.0 - 17.0	0.630 - 0.669	1.575	1.313
ER32-1800	17.0 - 18.0	0.669 - 0.709	1.575	1.313
ER32-1900	18.0 - 19.0	0.709 - 0.748	1.575	1.313
ER32-2000	19.0 - 20.0	0.748 - 0.787	1.575	1.313

Metric Collet Set Part No. **ER32-18ST**

View Standard Collet, Collet Nut/Wrench Stock Levels And List Price On Our [WEBSITE](#)

▶ Live Tool Wrench/Collet Nut

WRENCH FOR INTERNAL NUT (AXIAL & RADIAL)		INTERNAL COLLET NUT	WRENCH FOR EXTERNAL NUT (AXIAL & RADIAL)		EXTERNAL COLLET NUT
Part No: DIN1810 A-68X75	Part No: EA 32 K	Part No: E 32 A K	Part No: DIN1810 B-58X62	Part No: XCCW-D032	Part No: XGSN-0032

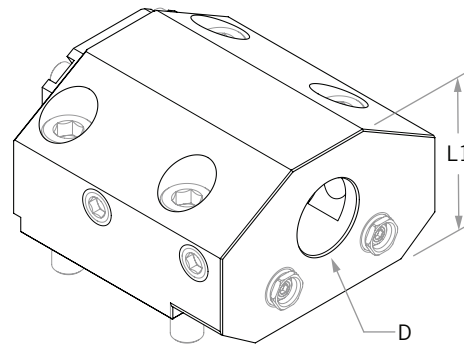
▶ Coolant Nozzle Kits

Kit Part No. EWS-10315	Kit Part No. EWS-10223	Kit Part No. EWS-10316	Kit Part No. EWS-10108
Included Coolant Pipe:	Included Coolant Pipe:	Included Coolant Pipe:	Included Coolant Pipe:
Pipe Part No. EWS-10224	Pipe Part No. EWS-10224	Pipe Part No. EWS-10314	Pipe Part No. EWS-10107

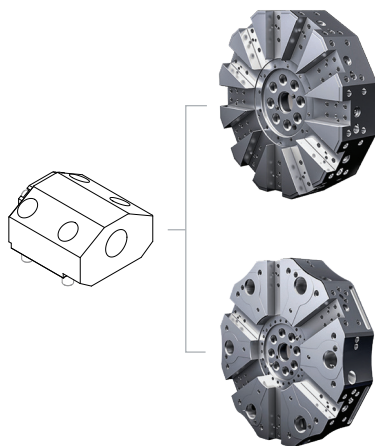
All Coolant Pipes are 6mm in diameter and may be ordered separately from the coolant kit

Boring Bar Holder

- ▶ Bolt-On Boring Bar Holder for **BOT** or **VB Hybrid** 12 Station Turrets. Inch & metric available. See tool/turret diagram below for compatible machines. Contact support@commandtool.com for more information.



Boring Bar - IN	Part No.	D	L1	Mfr. Part No. Equivalent
	19.BMT25.4HAASV12	1.00"	2.55"	BOT20ID-1
	19.BMT31.75HAASV12	1.25"	2.55"	BOT20ID-1_1/4
	19.BMT38.1HAASV12	1.50"	2.55"	BOT20ID-1_1/2
	19.BMT50.8HAASV12	2.00"	2.55"	BOT20ID-2
Boring Bar - MM	Part No.	D	L1	Mfr. Part No. Equivalent
	19.BMT25HAASV12	25 mm	65 mm	BOT20MID-25
	19.BMT32HAASV12	32 mm	65 mm	BOT20MID-32
	19.BMT40HAASV12	40 mm	65 mm	BOT20MID-40
	19.BMT50HAASV12	50 mm	65 mm	BOT20MID-50



BOT Turret
Standard For Machines:
+ ST-20, ST-25
+ ST-30, ST-35

VB Turret
Standard For Machines:
+ ST-20Y, ST-25Y
+ ST-30Y, ST-35Y
+ DS-30, DS-30Y

VB Turret **Optional**
For Machines:
+ ST-20, ST-25
+ ST-30, ST-35

ACCESSORIES

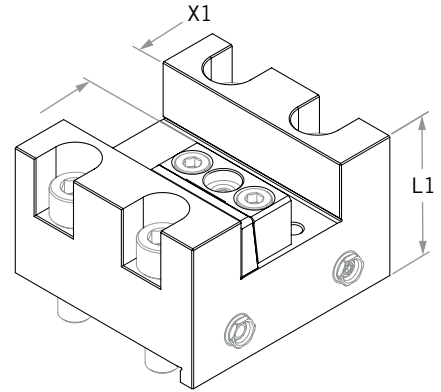
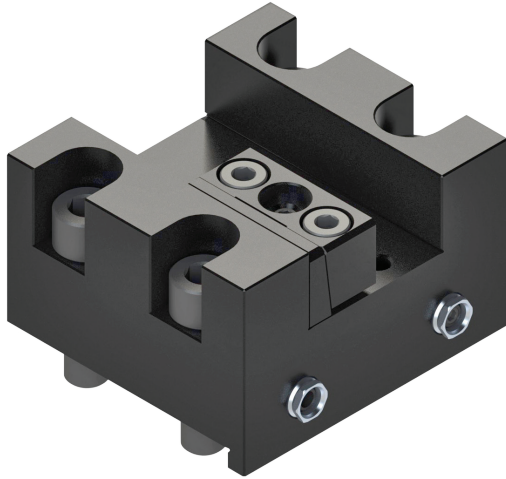
REDUCTION SLEEVES	COOLANT NOZZLE	COOLANT PIPE
28	<?>	<?>

+ Coolant Option: Internal Coolant/External Coolant

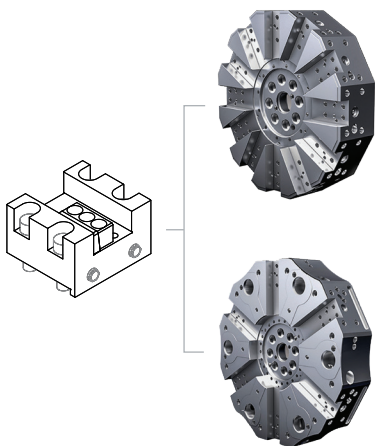
BOT or VB Hybrid // Boring Bar

Face Grooving

- ▶ Bolt-On Face Grooving Holder for **BOT** or **VB Hybrid** 12 Station Turrets. Inch & metric available. See tool/turret diagram below for compatible machines. Contact support@commandtool.com for more information.



Face Grooving - IN	Part No.	X1	L1	Mfr. Part No. Equivalent
	5.BMT25.4HAASV12	1.00"	2.20"	BOT20F/G
Face Grooving - MM	Part No.	X1	L1	Mfr. Part No. Equivalent
	5.BMT25HAASV12	25mm	56mm	BOT20MFG-25



BOT Turret
Standard For Machines:
+ ST-20, ST-25
+ ST-30, ST-35

VB Turret
Standard For Machines:
+ ST-20Y, ST-25Y
+ ST-30Y, ST-35Y
+ DS-30, DS-30Y

VB Turret **Optional**
For Machines:
+ ST-20, ST-25
+ ST-30, ST-35

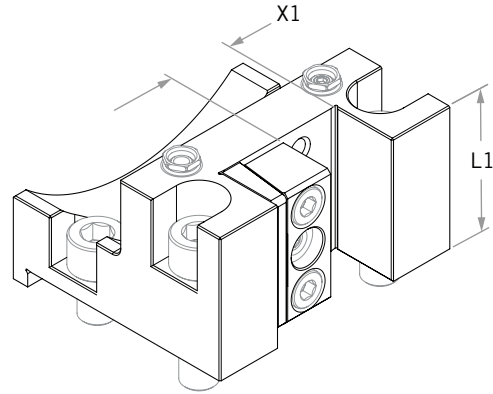
+ Coolant Option: External Coolant

ACCESSORIES

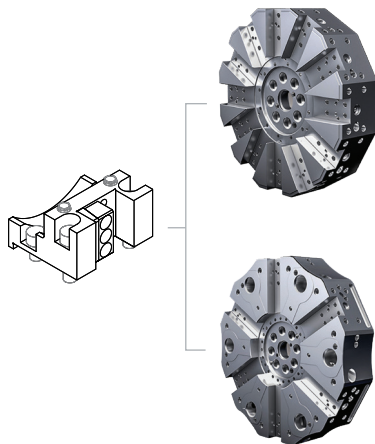
WEDGE CLAMPS	COOLANT NOZZLE	COOLANT PIPE
29	29	29

Parting Tool

- ▶ Bolt-On Parting Toolholder for **BOT** or **VB Hybrid** 12 Station Turrets. Inch & metric available. See tool/turret diagram below for compatible machines. Contact support@commandtool.com for more information.



Parting Tool - IN	Part No.	X1	L1	Mfr. Part No. Equivalent
	4.BMT25.4HAASV12X54.6	1.00"	2.15"	BOT200D-1
Parting Tool - MM	Part No.	X1	L1	Mfr. Part No. Equivalent
	4.BMT25HAASV12X54.6	25 mm	55 mm	BOT20MOD-25



BOT Turret
Standard For Machines:
+ ST-20, ST-25
+ ST-30, ST-35

VB Turret
Standard For Machines:
+ ST-20Y, ST-25Y
+ ST-30Y, ST-35Y
+ DS-30, DS-30Y

VB Turret **Optional**
For Machines:
+ ST-20, ST-25
+ ST-30, ST-35

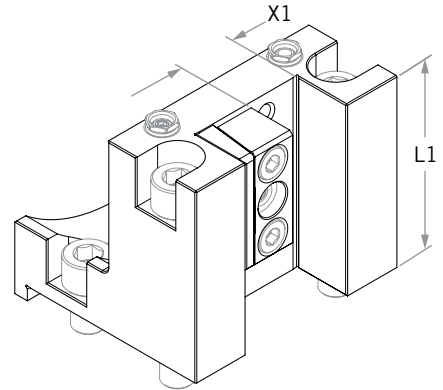
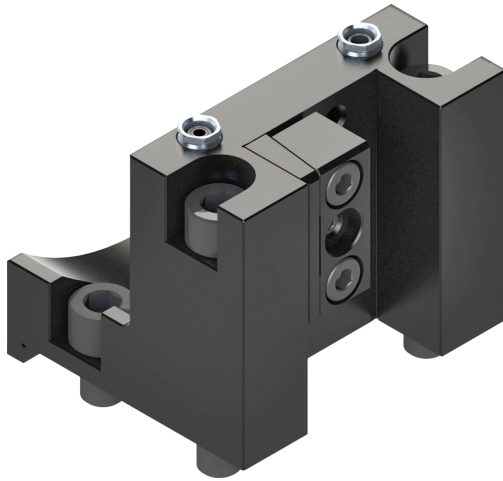
+ Coolant Option: External Coolant

ACCESSORIES

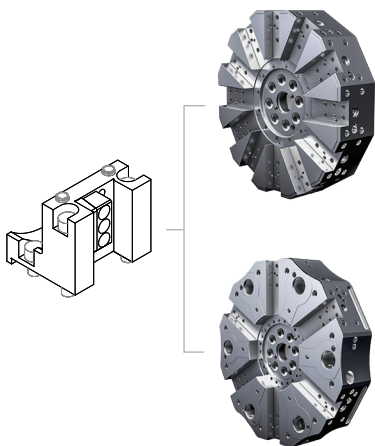
WEDGE CLAMPS	COOLANT NOZZLE	COOLANT PIPE
29	29	29

Extended Parting Tool

- ▶ Bolt-On Extended Parting Toolholder for **BOT** or **VB Hybrid** 12 Station Turrets. Inch & metric available. See tool/turret diagram below for compatible machines. Contact support@commandtool.com for more information.



Extended Parting Tool - IN	Part No.	X1	L1	Mfr. Part No. Equivalent
	4.BMT25.4HAASV12X83.2	1.00"	3.30"	BOT20EXTOD-1
Extended Parting Tool - MM	Part No.	X1	L1	Mfr. Part No. Equivalent
	4.BMT25HAASV12X83.2	25mm	84mm	BOT20EXTMOD-25



BOT Turret
Standard For Machines:
+ ST-20, ST-25
+ ST-30, ST-35

VB Turret
Standard For Machines:
+ ST-20Y, ST-25Y
+ ST-30Y, ST-35Y
+ DS-30, DS-30Y

VB Turret **Optional**
For Machines:
+ ST-20, ST-25
+ ST-30, ST-35

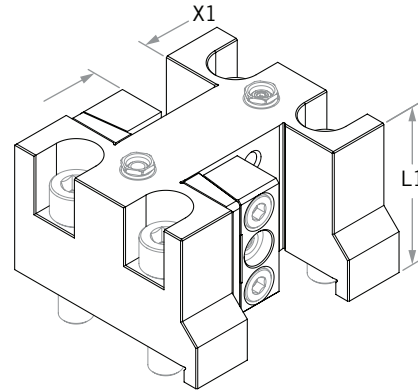
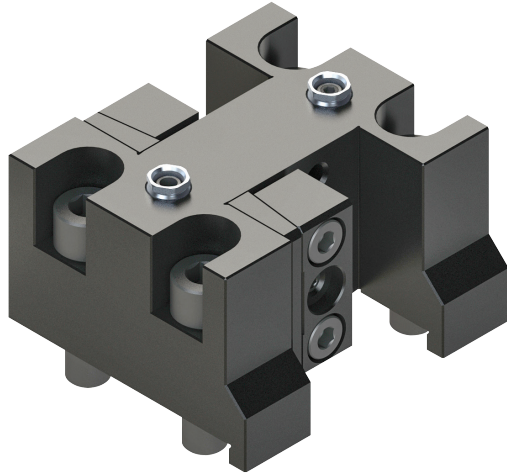
+ Coolant Option: External Coolant

ACCESSORIES

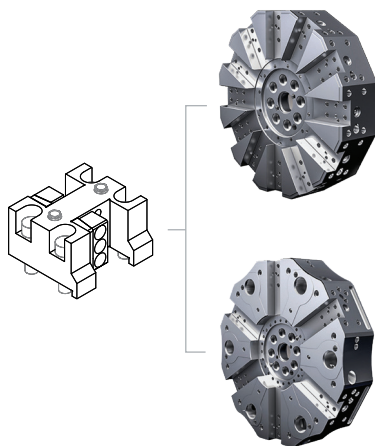
WEDGE CLAMPS	COOLANT NOZZLE	COOLANT PIPE
29	29	29

Twin Turn

- ▶ Bolt-On Twin Turn Holder for **BOT** or **VB Hybrid** 12 Station Turrets. Inch & metric available. See tool/turret diagram below for compatible machines. Contact support@commandtool.com for more information.



Twin Turn - IN	Part No.	X1	L1	Mfr. Part No. Equivalent
	15.BMT25.4HAASV12X54.6	1.00"	2.15"	BOT200D-1T
Twin Turn - MM	Part No.	X1	L1	Mfr. Part No. Equivalent
	15.BMT25HAASV12X54.6	25 mm	55 mm	BOT20MOD-25T



BOT Turret

Standard For Machines:

- + ST-20, ST-25
- + ST-30, ST-35

VB Turret

Standard For Machines:

- + ST-20Y, ST-25Y
- + ST-30Y, ST-35Y
- + DS-30, DS-30Y

VB Turret **Optional**
For Machines:

- + ST-20, ST-25
- + ST-30, ST-35

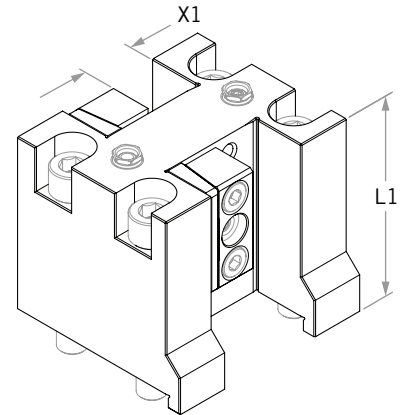
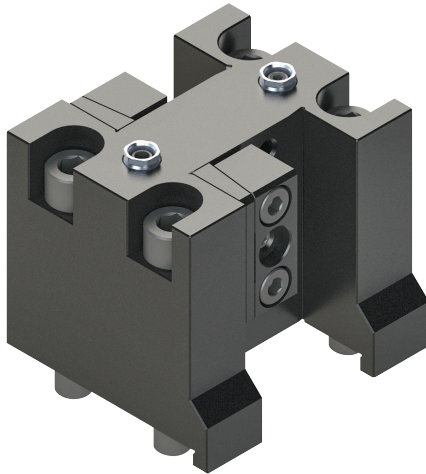
+ Coolant Option: External Coolant

ACCESSORIES

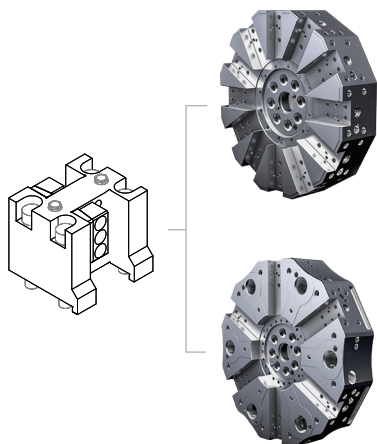
WEDGE CLAMPS	COOLANT NOZZLE	COOLANT PIPE
29	29	29

Extended Twin Turn

- ▶ Bolt-On Extended Twin Turn Holder for **BOT** or **VB Hybrid** 12 Station Turrets. Inch & metric available. See tool/turret diagram below for compatible machines. Contact support@commandtool.com for more information.



Extended Twin Turn - IN	Part No.	X1	L1	Mfr. Part No. Equivalent
	15.BMT25.4HAASV12X83.2	1.00"	3.30"	BOT20EXTOD-1T
Extended Twin Turn - MM	Part No.	X1	L1	Mfr. Part No. Equivalent
	15.BMT25HAASV12X83.2	25mm	84mm	BOT20EXTMOD-25T



BOT Turret
Standard For Machines:
+ ST-20, ST-25
+ ST-30, ST-35

VB Turret
Standard For Machines:
+ ST-20Y, ST-25Y
+ ST-30Y, ST-35Y
+ DS-30, DS-30Y

VB Turret Optional
For Machines:
+ ST-20, ST-25
+ ST-30, ST-35

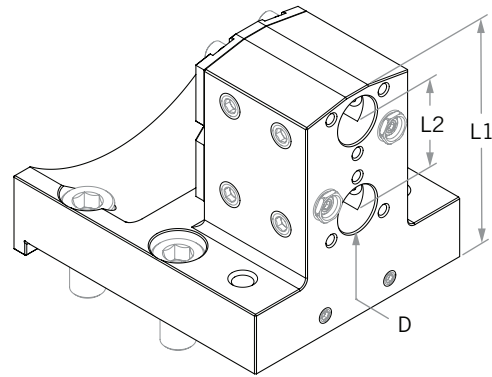
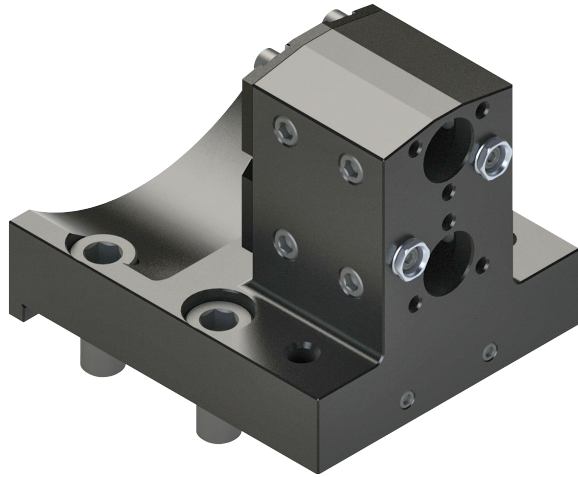
+ Coolant Option: External Coolant

ACCESSORIES

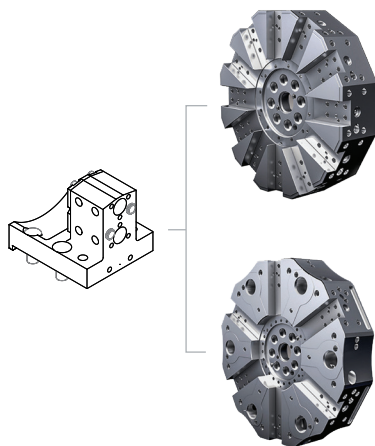
WEDGE CLAMPS	COOLANT NOZZLE	COOLANT PIPE
29	29	29

Twin Bore

- ▶ Bolt-On Twin Bore Holder for **BOT** or **VB Hybrid** 12 Station Turrets. Inch & metric available. See tool/turret diagram below for compatible machines. Contact support@commandtool.com for more information.



Twin Bore - IN	Part No.	D	L1	L2	Mfr. Part No. Equivalent
	19.BMT19.05HAASV12X45.72X83.82	0.75"	3.80"	1.50"	BOT20ID-3/4T
Twin Bore - MM	Part No.	D	L1	L2	Mfr. Part No. Equivalent
	19.BMT20HAASV12X45.72X83.82	20mm	96.50mm	38.10mm	BOT20MID-20T



BOT Turret
Standard For Machines:
+ ST-20, ST-25
+ ST-30, ST-35

VB Turret
Standard For Machines:
+ ST-20Y, ST-25Y
+ ST-30Y, ST-35Y
+ DS-30, DS-30Y

VB Turret **Optional**
For Machines:
+ ST-20, ST-25
+ ST-30, ST-35

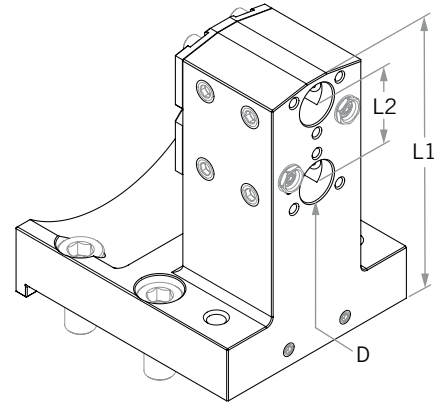
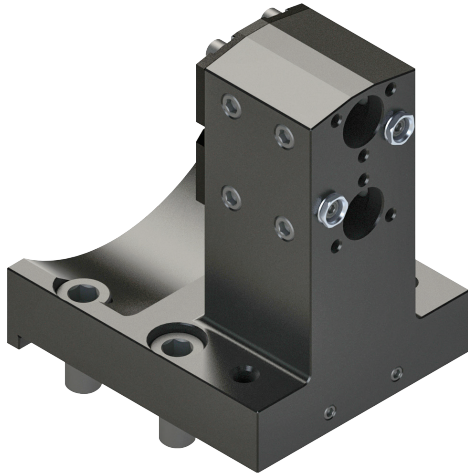
ACCESSORIES

REDUCTION SLEEVES	COOLANT NOZZLE	COOLANT PIPE
28	29	29

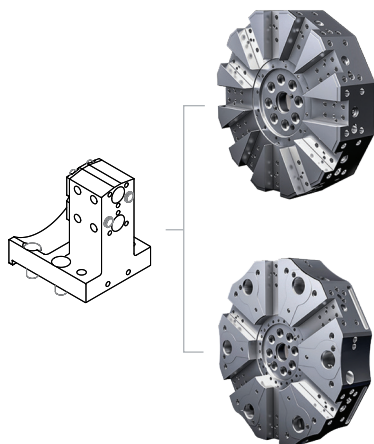
+ Coolant Option: Internal Coolant/External Coolant

Extended Twin Bore

- ▶ Bolt-On Extended Twin Bore Holder for **BOT** or **VB Hybrid** 12 Station Turrets. Inch & metric available. See tool/turret diagram below for compatible machines. Contact support@commandtool.com for more information.



Extended Twin Bore - IN	Part No.	D	L1	L2	Mfr. Part No. Equivalent
	19.BMT19.05HAASV12X82.55X120.65	0.75"	5.25"	1.50"	BOT20EXTID-3/4T
Extended Twin Bore - MM	Part No.	D	L1	L2	Mfr. Part No. Equivalent
	19.BMT20HAASV12X82.55X120.65	20mm	133.40mm	38.10mm	BOT20EXTMID-20T



BOT Turret
Standard For Machines:
+ ST-20, ST-25
+ ST-30, ST-35

VB Turret
Standard For Machines:
+ ST-20Y, ST-25Y
+ ST-30Y, ST-35Y
+ DS-30, DS-30Y

VB Turret **Optional**
For Machines:
+ ST-20, ST-25
+ ST-30, ST-35

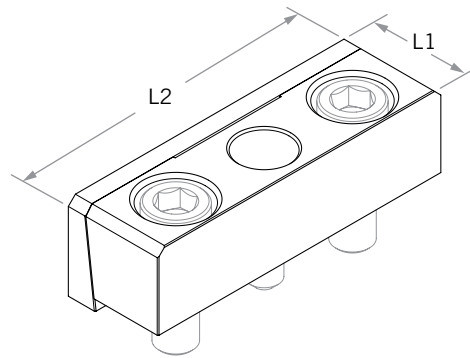
ACCESSORIES

REDUCTION SLEEVES	COOLANT NOZZLE	COOLANT PIPE
28	29	29

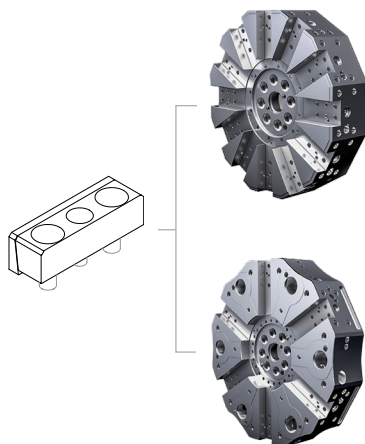
+ Coolant Option: Internal Coolant/External Coolant

Turret Wedge Clamp

- ▶ Wedge Clamp for **BOT** or **VB Hybrid** 12 Station Turret. See Page 29 for Bolt-On **Tool** Wedge Clamp. Also available to order separately, please contact support@commandtool.com for more information.



Turret Wedge Clamp - IN	Part No.	L1 (min)	L2	Mfr. Part No. Equivalent
	EWS-10441	1.00"	3.15"	
Turret Wedge Clamp - MM	Part No.	L1 (min)	L2	Mfr. Part No. Equivalent
	EWS-10492	25mm	80mm	



BOT Turret
Standard For Machines:
+ ST-20, ST-25
+ ST-30, ST-35

VB Turret
Standard For Machines:
+ ST-20Y, ST-25Y
+ ST-30Y, ST-35Y
+ DS-30, DS-30Y

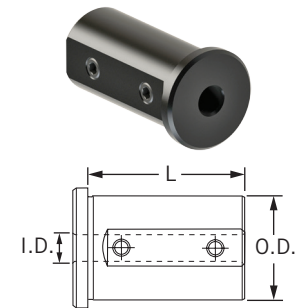
VB Turret **Optional**
For Machines:
+ ST-20, ST-25
+ ST-30, ST-35

Reduction Sleeves

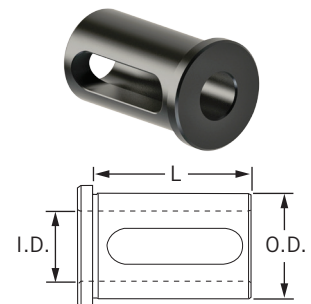
- Reduction Sleeves for **BOT, VB Hybrid** 12 Station, or **BMT65** Turret Tools. 2 styles are available: Set Screw for smaller bores and Slotted for larger bores. Please contact support@commandtool.com for more information.

Part Number	O.D.	I.D.	L	Slotted	Set Screw
28.19.0506.35S	0.750 (19.05 mm)	0.250 (06.35 mm)	1.500 (31.75 mm)		*
28.19.0507.94S	0.750 (19.05 mm)	0.313 (07.94 mm)	1.500 (31.75 mm)		*
28.19.0506.35SL	0.750 (19.05 mm)	0.250 (06.35 mm)	2.000 (50.80 mm)		*
28.19.0507.94SL	0.750 (19.05 mm)	0.313 (07.94 mm)	2.000 (50.80 mm)		*
28.25.4006.35S	1.000 (25.40 mm)	0.250 (06.35 mm)	1.750 (44.45 mm)		*
28.25.4007.94S	1.000 (25.40 mm)	0.313 (07.94 mm)	1.750 (44.45 mm)		*
28.25.4009.53S	1.000 (25.40 mm)	0.375 (09.53 mm)	1.750 (44.45 mm)		*
28.25.4012.70S	1.000 (25.40 mm)	0.500 (12.70 mm)	1.750 (44.45 mm)		*
28.25.4015.88S	1.000 (25.40 mm)	0.625 (15.88 mm)	1.750 (44.45 mm)	*	
28.25.4019.05S	1.000 (25.40 mm)	0.750 (19.05 mm)	1.750 (44.45 mm)	*	
28.25.4006.35SL	1.000 (25.40 mm)	0.250 (06.35 mm)	2.750 (69.85 mm)		*
28.25.4007.94SL	1.000 (25.40 mm)	0.313 (07.94 mm)	2.750 (69.85 mm)		*
28.25.4009.53SL	1.000 (25.40 mm)	0.375 (09.53 mm)	2.750 (69.85 mm)		*
28.25.4012.70SL	1.000 (25.40 mm)	0.500 (12.70 mm)	2.750 (69.85 mm)		*
28.25.4015.88SL	1.000 (25.40 mm)	0.625 (15.88 mm)	2.750 (69.85 mm)	*	
28.25.4019.05SL	1.000 (25.40 mm)	0.750 (19.05 mm)	2.750 (69.85 mm)	*	
28.31.7507.94S	1.250 (31.75 mm)	0.313 (07.94 mm)	2.125 (53.98 mm)		*
28.31.7509.53S	1.250 (31.75 mm)	0.375 (09.53 mm)	2.125 (53.98 mm)		*
28.31.7512.70S	1.250 (31.75 mm)	0.500 (12.70 mm)	2.125 (53.98 mm)		*
28.31.7515.88S	1.250 (31.75 mm)	0.625 (15.88 mm)	2.125 (53.98 mm)	*	
28.31.7519.05S	1.250 (31.75 mm)	0.750 (19.05 mm)	2.125 (53.98 mm)	*	
28.31.7525.40S	1.250 (31.75 mm)	1.000 (25.40 mm)	2.125 (53.98 mm)	*	
28.31.7507.94SL	1.250 (31.75 mm)	0.313 (07.94 mm)	3.250 (82.55 mm)		*
28.31.7509.53SL	1.250 (31.75 mm)	0.375 (09.53 mm)	3.250 (82.55 mm)		*
28.31.7512.70SL	1.250 (31.75 mm)	0.500 (12.70 mm)	3.250 (82.55 mm)		*
28.31.7515.88SL	1.250 (31.75 mm)	0.625 (15.88 mm)	3.250 (82.55 mm)	*	
28.31.7519.05SL	1.250 (31.75 mm)	0.750 (19.05 mm)	3.250 (82.55 mm)	*	
28.31.7525.40SL	1.250 (31.75 mm)	1.000 (25.40 mm)	3.250 (82.55 mm)	*	
28.38.1007.94S	1.500 (38.10 mm)	0.313 (07.94 mm)	2.500 (63.50 mm)		*
28.38.1009.53S	1.500 (38.10 mm)	0.375 (09.53 mm)	2.500 (63.50 mm)		*
28.38.1012.70S	1.500 (38.10 mm)	0.500 (12.70 mm)	2.500 (63.50 mm)		*
28.38.1015.88S	1.500 (38.10 mm)	0.625 (15.88 mm)	2.500 (63.50 mm)	*	
28.38.1019.05S	1.500 (38.10 mm)	0.750 (19.05 mm)	2.500 (63.50 mm)	*	
28.38.1025.40S	1.500 (38.10 mm)	1.000 (25.40 mm)	2.500 (63.50 mm)	*	
28.38.1031.75S	1.500 (38.10 mm)	1.250 (31.75 mm)	2.500 (63.50 mm)	*	
28.50.8009.53S	2.000 (50.80 mm)	0.375 (09.53 mm)	3.000 (76.20 mm)		*
28.50.8012.70S	2.000 (50.80 mm)	0.500 (12.70 mm)	3.000 (76.20 mm)		*
28.50.8015.88S	2.000 (50.80 mm)	0.625 (15.88 mm)	3.000 (76.20 mm)	*	
28.50.8019.05S	2.000 (50.80 mm)	0.750 (19.05 mm)	3.000 (76.20 mm)	*	
28.50.8025.40S	2.000 (50.80 mm)	1.000 (25.40 mm)	3.000 (76.20 mm)	*	
28.50.8031.75S	2.000 (50.80 mm)	1.250 (31.75 mm)	3.000 (76.20 mm)	*	
28.50.8038.10S	2.000 (50.80 mm)	1.500 (38.10 mm)	3.000 (76.20 mm)	*	
28.50.8044.45S	2.000 (50.80 mm)	1.750 (44.45 mm)	3.000 (76.20 mm)	*	

SET SCREW REDUCTION SLEEVE



SLOTTED REDUCTION SLEEVE

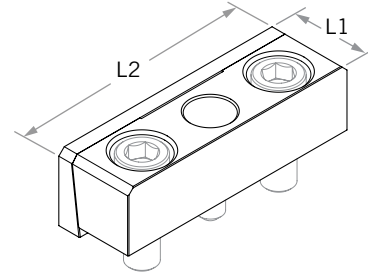


View Reduction Sleeve Stock Levels And List Price On Our [WEBSITE](http://www.commandtool.com)

- + Inside of flange face is ground to ensure full contact to tool block
- + Made from 8620 steel
- + All bushings are case hardened
- + I.D. and O.D. are precision ground to H6 tolerance
- + Laser marked for easy identification

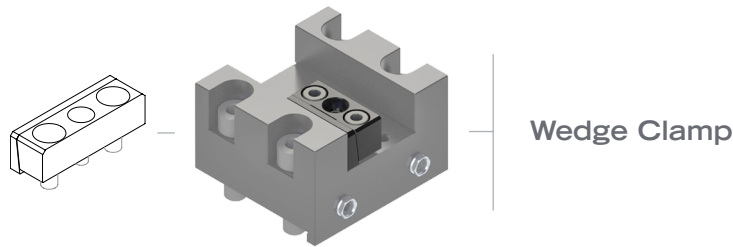
Bolt-On Tool Wedge Clamp

- ▶ Wedge Clamp for **BOT** or **VB Hybrid** 12 Station Turret Bolt-On Tools. Included with all bolt-on tools requiring tool wedge clamp. Also available to order separately, please contact support@commandtool.com for more information.



Wedge Clamp - IN	Part No.	L1 (min)	L2	Mfr. Part No. Equivalent
	EWS-10490	1.00"	1.96"	
Wedge Clamp - MM	Part No.	L1 (min)	L2	Mfr. Part No. Equivalent
	EWS-10491	25mm	50mm	

SEE PG 27 FOR TURRET WEDGE CLAMP

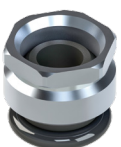


- ▶ Wedge Clamp for **BMT65** 12 Station Turret Bolt-On Tools. Included with all bolt-on tools requiring tool wedge clamp. Also available to order separately, please contact support@commandtool.com for more information.

Wedge Clamp - IN	Part No.	L1 (min)	L2	Mfr. Part No. Equivalent
	EWS-11287	1.00"	2.36"	
Wedge Clamp - MM	Part No.	L1 (min)	L2	Mfr. Part No. Equivalent
	EWS-11288	25mm	60mm	

▶ Coolant Nozzle

Part No. **EWS-10384**



Coolant Nozzle for Bolt-On Tools. Threaded coolant ball to accommodate copper coolant pipes. Available to order separately, please contact support@commandtool.com.

▶ Coolant Pipe

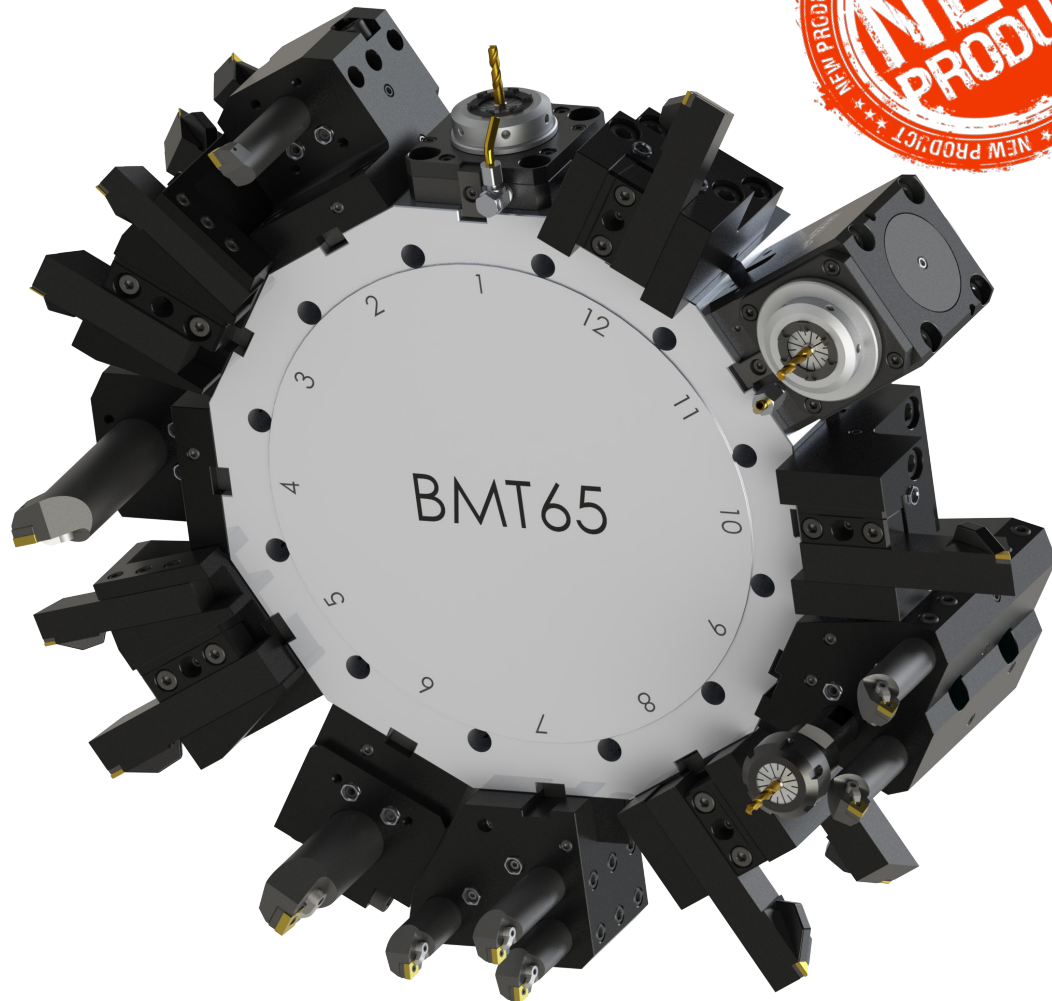
Part No. **KV6 50X1XM6**



Copper Coolant Pipe for Bolt-On Tool Coolant Nozzles. Available to order separately, please contact support@commandtool.com.

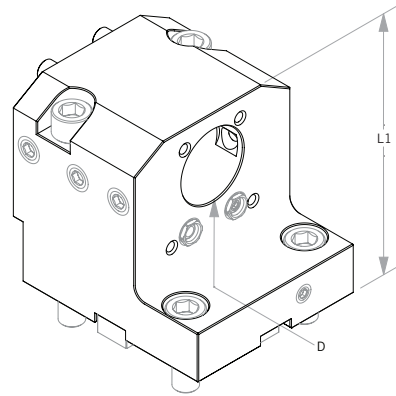
BMT65 Turret Tools

- ▶ Introducing Command's new line of BMT65 Static and Live Tools
- ▶ Our 15° half-index tools can increase your turret tooling capacity



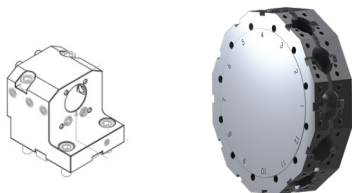
Boring Bar Holder

- ▶ Bolt-On Boring Bar Holder for **BMT65** 12 Station Turret. Inch & metric available. See tool/turret diagram below for compatible machines. Contact support@commandtool.com for more information.



Boring Bar - IN	Part No.	D	L1	Mfr. Part No. Equivalent
	19.BMT25.4HAAS65Z15	1.00"	3.94"	BMT65ID-1
	19.BMT38.1HAAS65Z15	1.50"	3.94"	BMT65ID-1_1/2

Boring Bar - MM	Part No.	D	L1	Mfr. Part No. Equivalent
	19.BMT25HAAS65Z15	25 mm	100 mm	BMT65MID-25
	19.BMT40HAAS65Z15	40 mm	100 mm	BMT65MID-40



BMT65 Turret

Standard For Machines:

- + ST-20Y, ST-25Y
- + ST-30Y, ST-35Y
- + DS-30Y

BMT65 Turret **Optional**
For Machines:

- + ST-20, ST-25
- + ST-30, ST-35

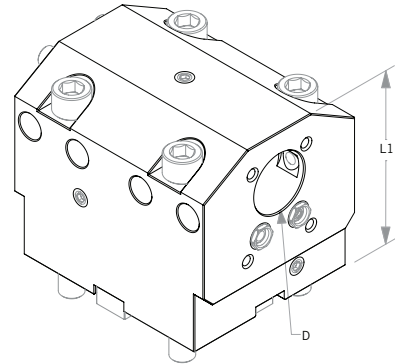
ACCESSORIES

REDUCTION SLEEVES	COOLANT NOZZLE	COOLANT PIPE
28	29	29

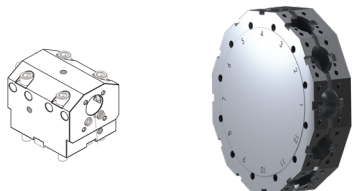
- + Coolant Option: Internal Coolant/External Coolant

Twin Boring Bar Holder

- ▶ Bolt-On Twin Boring Bar Holder for BMT65 12 Station Turret. Inch & metric available. See tool/turret diagram below for compatible machines. Contact support@commandtool.com for more information.



Twin Boring Bar - IN	Part No.	D	L1	Mfr. Part No. Equivalent
	17.BMT31.75DHAAS65	1.25"	3.94"	BMT65ID-1_1/4T
Twin Boring Bar - MM	Part No.	D	L1	Mfr. Part No. Equivalent
	17.BMT32DHAAS65	32mm	100mm	BMT65MID-32T



BMT65 Turret

Standard For Machines:

- + ST-20Y, ST-25Y
- + ST-30Y, ST-35Y
- + DS-30Y

BMT65 Turret **Optional**
For Machines:

- + ST-20, ST-25
- + ST-30, ST-35

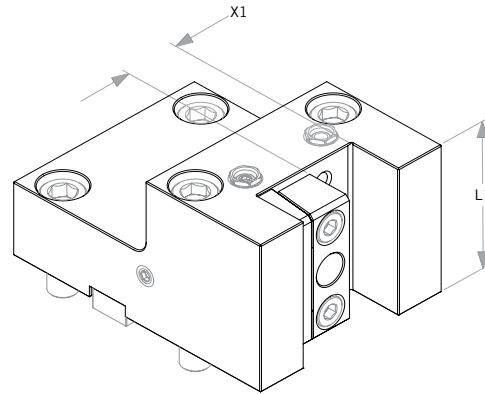
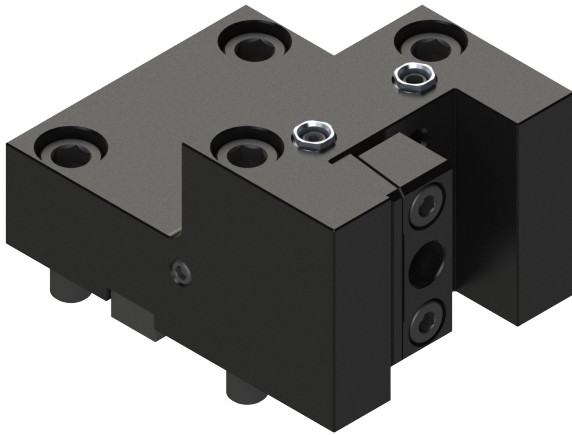
ACCESSORIES

REDUCTION SLEEVES	COOLANT NOZZLE	COOLANT PIPE
28	29	29

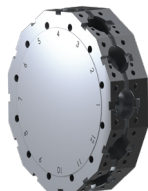
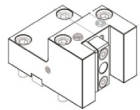
- + Coolant Option: Internal Coolant/External Coolant

Turning Tool

- ▶ Bolt-On Turning Tool for BMT65 12 Station Turret. Inch & metric available. See tool/turret diagram below for compatible machines. Contact support@commandtool.com for more information.



Turning Tool - IN	Part No.	X1	L1	Mfr. Part No. Equivalent
	4.BMT25.4HAAS65	1.00"	2.76"	BMT65OD-1
Turning Tool - MM	Part No.	X1	L1	Mfr. Part No. Equivalent
	4.BMT25HAAS65	25 mm	70 mm	BMT65MOD-25



BMT65 Turret

Standard For Machines:

- + ST-20Y, ST-25Y
- + ST-30Y, ST-35Y
- + DS-30Y

BMT65 Turret **Optional**
For Machines:

- + ST-20, ST-25
- + ST-30, ST-35

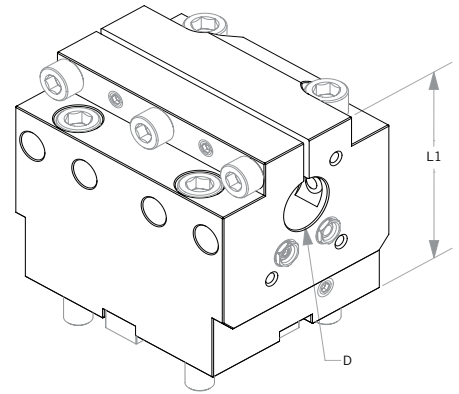
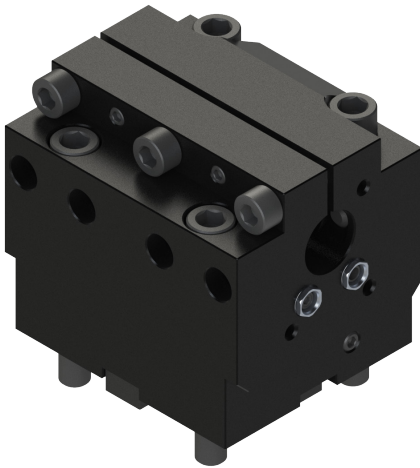
+ Coolant Option: External Coolant

ACCESSORIES

WEDGE CLAMPS	COOLANT NOZZLE	COOLANT PIPE
29	29	29

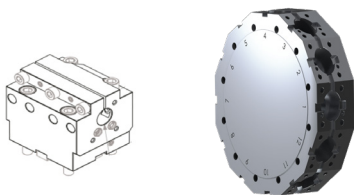
Split Block Boring Bar Holder

- ▶ Bolt-On Split Block Boring Bar Holder for BMT65 12 Station Turret. Inch & metric available. See tool/turret diagram below for compatible machines. Contact support@commandtool.com for more information.



Split Block Boring Bar - IN	Part No.	X1	L1	Mfr. Part No. Equivalent
	20.BMT25.4HAAS65	1.00"	4.15"	BMT65ID-1S
	20.BMT38.1HAAS65	1.50"	4.41"	BMT65ID-1_1/2S
	20.BMT50.8HAAS65	2.00"	4.67"	BMT65ID-2S

Split Block Boring Bar - MM	Part No.	X1	L1	Mfr. Part No. Equivalent
	20.BMT25HAAS65	25 mm	105.5mm	BMT65MID-25S
	20.BMT40HAAS65	40 mm	112mm	BMT65MID-40S
	20.BMT50HAAS65	50 mm	118.5mm	BMT65MID-50S



BMT65 Turret

Standard For Machines:

- + ST-20Y, ST-25Y
- + ST-30Y, ST-35Y
- + DS-30Y

BMT65 Turret **Optional**
For Machines:

- + ST-20, ST-25
- + ST-30, ST-35

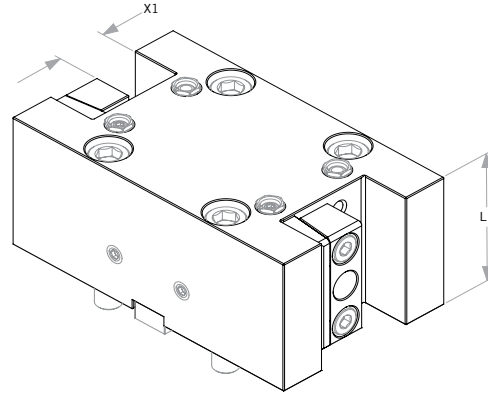
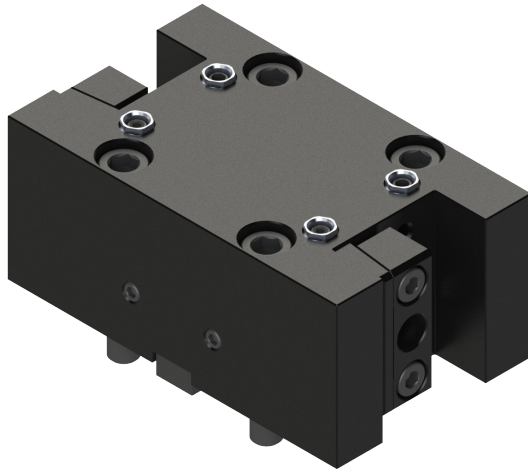
ACCESSORIES

REDUCTION SLEEVES	COOLANT NOZZLE	COOLANT PIPE
28	29	29

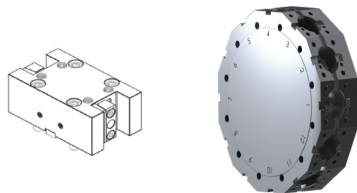
- + Coolant Option: Internal Coolant/External Coolant

Twin Turning Tool

- ▶ Bolt-On Twin Turning Tool for BMT65 12 Station Turret. Inch & metric available. See tool/turret diagram below for compatible machines. Contact support@commandtool.com for more information.



Twin Turn - IN	Part No.	X1	L1	Mfr. Part No. Equivalent
	15.BMT25.4HAAS65	1.00"	2.76"	BMT65OD-1T
Twin Turn - MM	Part No.	X1	L1	Mfr. Part No. Equivalent
	15.BMT25HAAS65	25 mm	70 mm	BMT65MOD-25T



BMT65 Turret

Standard For Machines:

- + ST-20Y, ST-25Y
- + ST-30Y, ST-35Y
- + DS-30Y

BMT65 Turret **Optional**
For Machines:

- + ST-20, ST-25
- + ST-30, ST-35

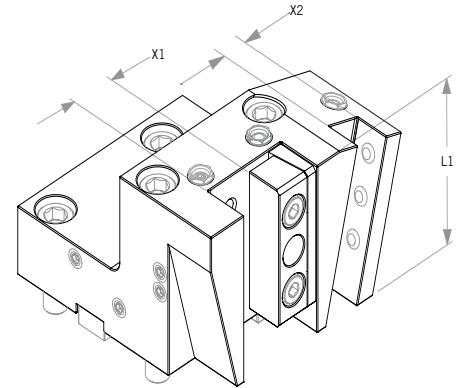
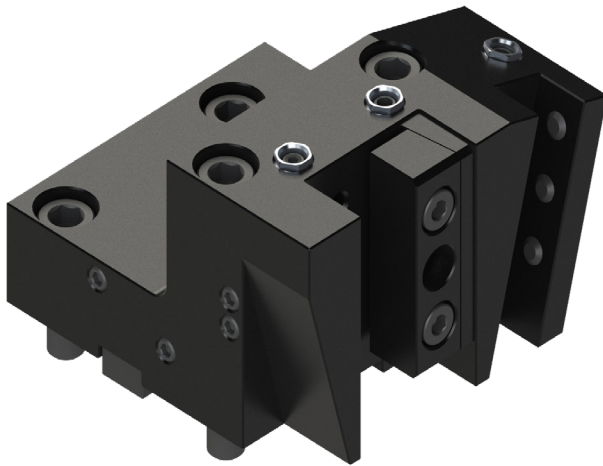
+ Coolant Option: External Coolant

ACCESSORIES

WEDGE CLAMPS	COOLANT NOZZLE	COOLANT PIPE
29	29	29

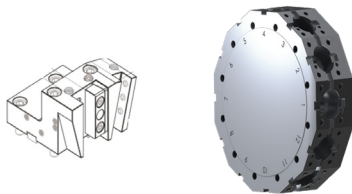
Half-Index Turning Tool

- ▶ Bolt-On Half-Index Turning Tool for BMT65 12 Station Turret. Inch & metric available. See tool/turret diagram below for compatible machines. Contact support@commandtool.com for more information.



Half-Index Turning Tool - IN	Part No.	X1	X2	L1	Mfr. Part No. Equivalent
	4.BMT25.4/19.05HAAS65-15°	1.00"	0.75"	3.35"	BMT65OD24-1

Half-Index Turning Tool - MM	Part No.	X1	X2	L1	Mfr. Part No. Equivalent
	4.BMT25/20HAAS65-15°	25 mm	20 mm	85 mm	BMT65MOD24-25



BMT65 Turret

Standard For Machines:

- + ST-20Y, ST-25Y
- + ST-30Y, ST-35Y
- + DS-30Y

BMT65 Turret **Optional**
For Machines:

- + ST-20, ST-25
- + ST-30, ST-35

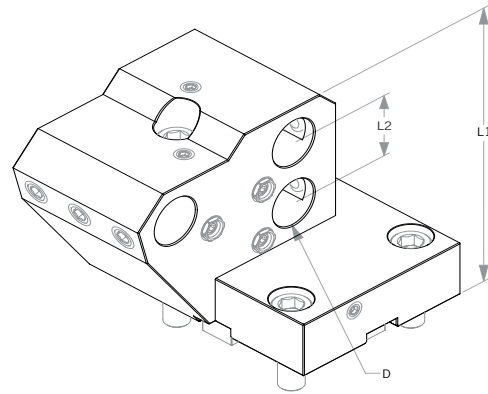
+ Coolant Option: External Coolant

ACCESSORIES

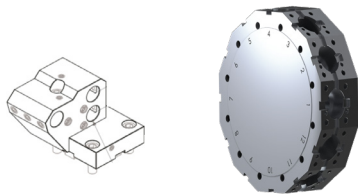
WEDGE CLAMPS	COOLANT NOZZLE	COOLANT PIPE
29	29	29

Half-Index Boring Bar Holder

- ▶ Bolt-On Half-Index Boring Bar Holder for **BMT65** 12 Station Turret. Inch & metric available. See tool/turret diagram below for compatible machines. Contact support@commandtool.com for more information.



Half-Index Twin Boring Bar - IN	Part No.	D	L1	L2	Mfr. Part No. Equivalent
	19.BMT25.4HAAS65X50X85-15°	1.00"	4.13"	1.38"	BMT65ID24-1
Half-Index Twin Boring Bar - MM	Part No.	D	L1	L2	Mfr. Part No. Equivalent
	19.BMT25HAAS65X50X85-15°	25 mm	105 mm	35 mm	BMT65MID24-25



BMT65 Turret

Standard For Machines:

- + ST-20Y, ST-25Y
- + ST-30Y, ST-35Y
- + DS-30Y

BMT65 Turret **Optional**
For Machines:

- + ST-20, ST-25
- + ST-30, ST-35

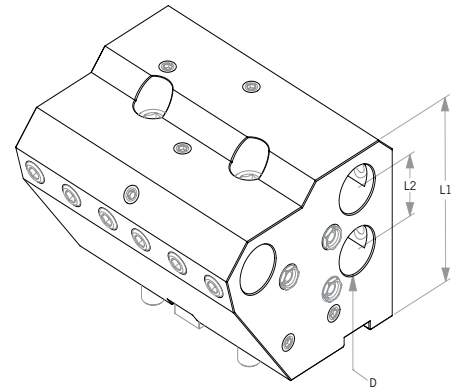
+ Coolant Option: External Coolant

ACCESSORIES

REDUCTION SLEEVES	COOLANT NOZZLE	COOLANT PIPE
28	29	29

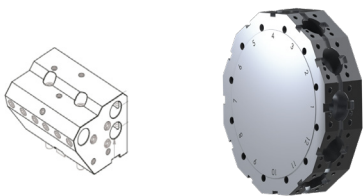
Extended Half-Index Twin Boring Bar Holder

- ▶ Bolt-On Extended Half-Index Twin Boring Bar Holder for BMT65 12 Station Turret. Inch & metric available. See tool/turret diagram below for compatible machines. Contact support@commandtool.com for more information.



Extended Half-Index Twin BBH - IN	Part No.	D	L1	L2	Mfr. Part No. Equivalent
	19.BMT25.4DHAAS65X50X85-15°	1.00"	2.20"	1.38"	BMT65ID24-1T

Extended Half-Index Twin BBH - MM	Part No.	D	L1	L2	Mfr. Part No. Equivalent
	19.BMT25HAAS65X50X85-15°	25mm	56mm	35mm	BMT65MID24-25T



BMT65 Turret

Standard For Machines:

- + ST-20Y, ST-25Y
- + ST-30Y, ST-35Y
- + DS-30Y

BMT65 Turret **Optional**
For Machines:

- + ST-20, ST-25
- + ST-30, ST-35

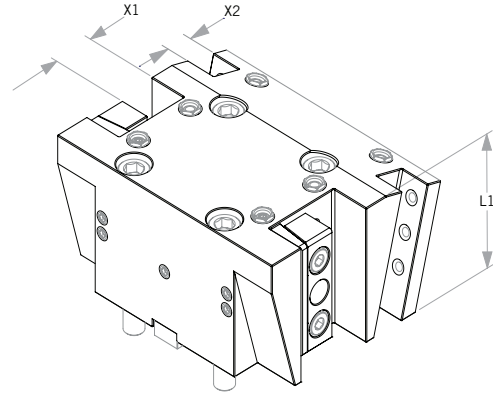
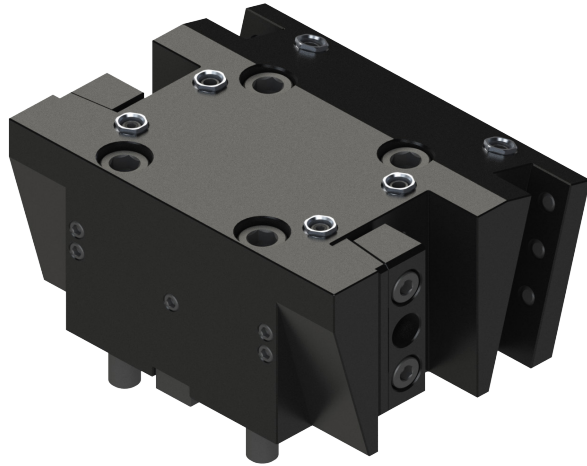
+ Coolant Option: External Coolant

ACCESSORIES

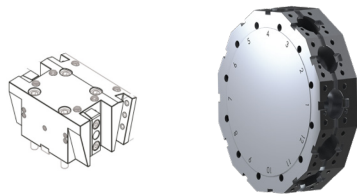
REDUCTION SLEEVES	COOLANT NOZZLE	COOLANT PIPE
28	29	29

Half-Index Twin Turning Tool

- ▶ Bolt-On Half-Index Twin Turning Tool for **BMT65** 12 Station Turret. Inch & metric available. See tool/turret diagram below for compatible machines. Contact support@commandtool.com for more information.



Half-Index Twin Turn - IN	Part No.	X1	X2	L1	Mfr. Part No. Equivalent
	15.BMT25.4/19.05HAAS65-15°	1.00"	0.75"	3.35"	BMT65OD24-1T
Half-Index Twin Turn - MM	Part No.	X1	X2	L1	Mfr. Part No. Equivalent
	15.BMT25/20HAAS65-15°	25 mm	20 mm	85 mm	BMT65MOD24-25T



BMT65 Turret

Standard For Machines:

- + ST-20Y, ST-25Y
- + ST-30Y, ST-35Y
- + DS-30Y

BMT65 Turret **Optional**
For Machines:

- + ST-20, ST-25
- + ST-30, ST-35

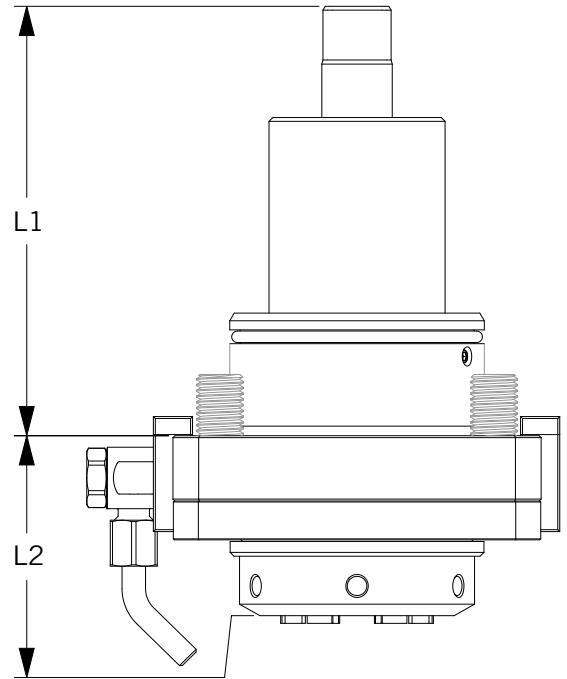
+ Coolant Option: External Coolant

ACCESSORIES

WEDGE CLAMPS	COOLANT NOZZLE	COOLANT PIPE
29	29	29

Axial

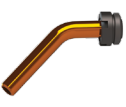
▶ Axial live tools for BMT65 12 Station Turret. Contact support@commandtool.com for more information.



ER32 Axial	Part No.	L1	L2	BMT	Collet Nut Type
	40.65321809DW02IM	112mm	47mm	65	Internal

- + Coolant Option: External Coolant
- + Uses standard ER32 collets
- + 1:1 drive ratio
- + 6,000 max RPM
- + Run-out ≤ 0.005 mm

ACCESSORIES

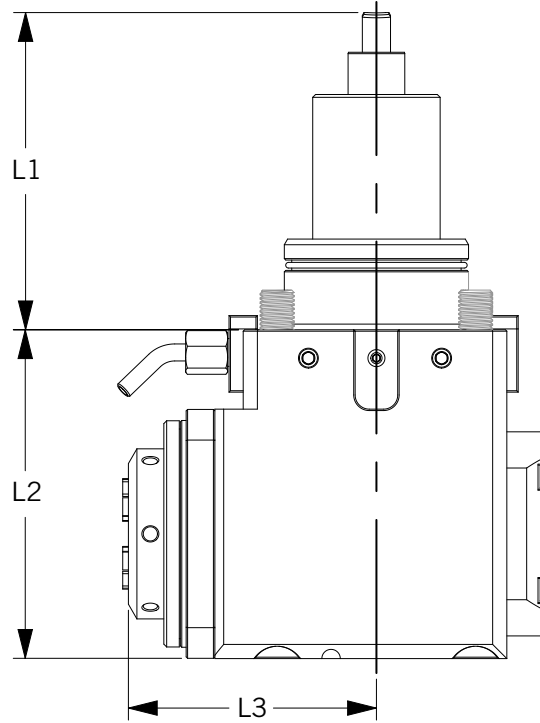
		
COLLETS & ACCESSORIES	COOLANT KIT	COOLANT PIPE
18	18	18

BMT65 Radial Live Tool



Radial

► Radial live tools for BMT65 12 Station Turret. Contact support@commandtool.com for more information.



ER32 Radial	Part No.	L1	L2	L3	BMT	Collet Nut Type
	60.65321809DW02GLIM	111.90 mm	116 mm	87.50 mm	65	Internal

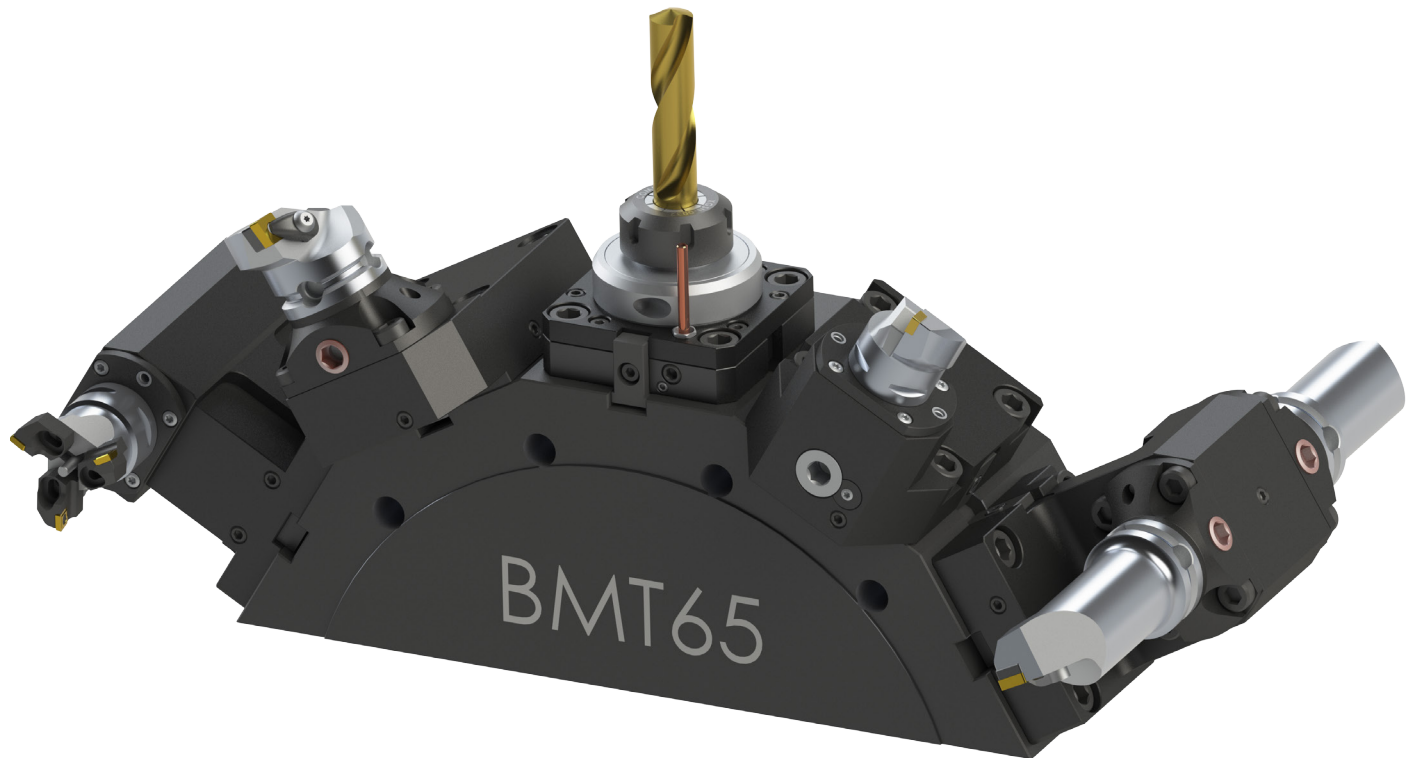
- + Coolant Option: External Coolant
- + Uses standard ER32 collets
- + 1:1 drive ratio
- + 6,000 max RPM
- + Run-out ≤ 0.005 mm

ACCESSORIES

COLLETS & ACCESSORIES	COOLANT KIT	COOLANT PIPE
18	18	18

BMT65 Modular Turret Tools

- ▶ Command has once again taken a step forward to make tooling more flexible for your BMT65 turret with the new product offerings of the Varia, KM, and PSC static and live tools. Contact support@commandtool.com for more information about the modular tools.
- ▶ Reduce your tool set-up times by placing an order for these tools today!

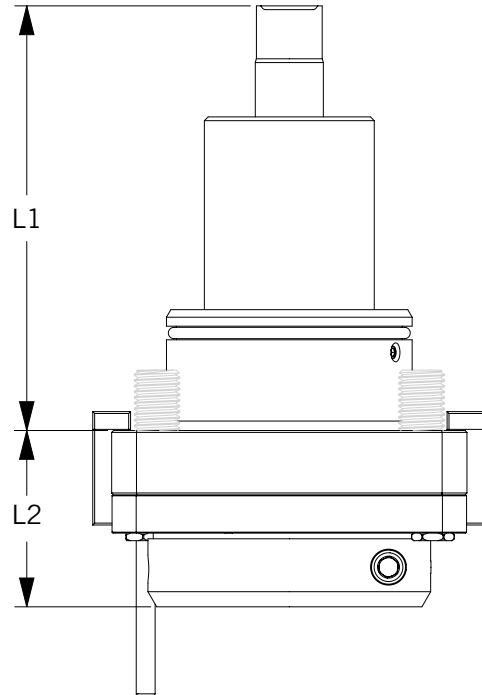


BMT65 Axial Live Tool



Axial

► Varia axial live tool for BMT65 12 Station Turret. Contact support@commandtool.com for more information.



Varia Axial	Part No.	L1	L2	BMT	Modular Type
	40.65VX41809DW02	112mm	47mm	65	Varia

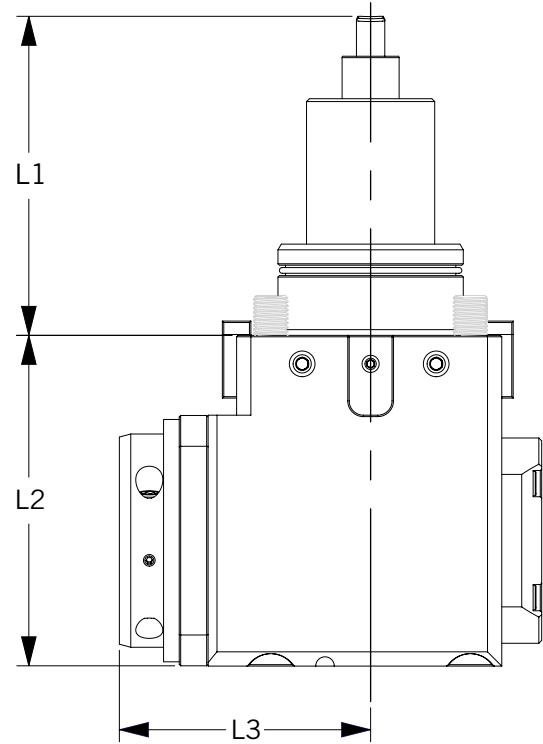
- + Coolant Option: External Coolant
- + Uses standard Varia inserts
- + 1:1 drive ratio
- + 6,000 max RPM
- + Run-out ≤ 0.005 mm

ACCESSORIES

ADAPTERS	COOLANT KIT	COOLANT PIPE
45	18	18

Radial

► Varia radial live tool for BMT65 12 Station Turret. Contact support@commandtool.com for more information.



Varia Radial	Part No.	L1	L2	L3	BMT	Modular Type
	60.65VX41809DW02GL	111.90 mm	116 mm	88.13 mm	65	Varia

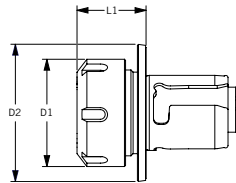
- + Coolant Option: External Coolant
- + Uses standard Varia inserts
- + 1:1 drive ratio
- + 6,000 max RPM
- + Run-out ≤ 0.005 mm

ACCESSORIES

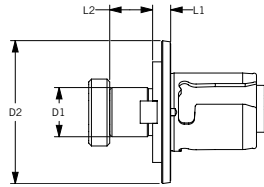
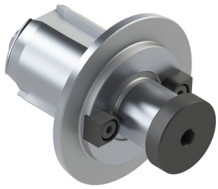
ADAPTERS	COOLANT KIT	COOLANT PIPE
45	18	18

Varia Adapters

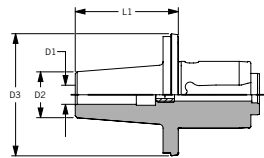
- ▶ Varia inserts for **BMT65** 12 Station Turret Modular Tools. For additional sizes, please contact support@commandtool.com.



Collet Chuck Insert				
Part Number	Collet Size	L1	D1	D2
31.VX416L23.5	16	23.5mm	28mm	64mm
31.VX420L27	20	27mm	34mm	64mm
31.VX425L28	25	28mm	42mm	64mm
31.VX432L30	32	30mm	50mm	64mm
31.VX440L57	40	57mm	63mm	64mm



Shell Mill Insert				
Part Number	L1	L2	D1	D2
42.VX412.7L08	8mm	14.3mm	1/2in	64mm
42.VX419.05L08	8mm	17mm	3/4in	64mm

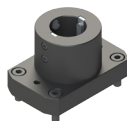


Shrink Fit Insert				
Part Number	L1	D1	D2	D3
27.VX406.35L54SHR	54mm	1/4in	21mm	64mm
27.VX409.53L54SHR	54mm	3/8in	24mm	64mm
27.VX412.7L54SHR	54mm	1/2in	24mm	64mm
27.VX415.88L54SHR	54mm	5/8in	27mm	64mm
27.VX419.05L61.5SHR	61.5mm	3/4in	33mm	64mm

Varia Starter Kit - VSK-VX4

- ▶ Starter kit comes with the following:

1 QTY - ER32 Collet Insert 1 QTY - VX4 Fit Up Aid 1 QTY - Torque Wrench 5 QTY - Varia Tool Tag



Part No:
31.VX432L30*

Part No:
MB-VX4*

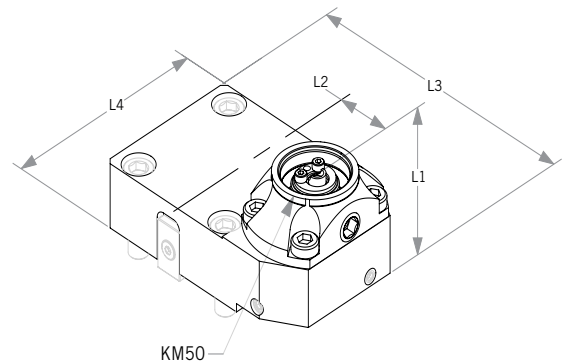
Part No:
DSV SW505.7NM*

Part No:
PT-VX4*

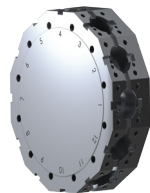
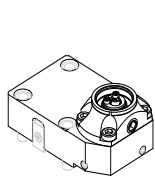
* Also available to order separately, please contact support@commandtool.com.

KM50 Turning Tool

- ▶ Bolt-On KM50 Turning Tool Holder for BMT65 12 Station Turret. See tool/turret diagram below for compatible machines. Contact support@commandtool.com for more information.



KM50 Turning Tool	Part No.	L1	L2	L3	L4	Modular Type
	4.BMTKM50SKT250	70mm	71 mm	148.5mm	95 mm	KM50



BMT65 Turret

Standard For Machines:

- + ST-20Y, ST-25Y
- + ST-30Y, ST-35Y
- + DS-30Y

BMT65 Turret **Optional**

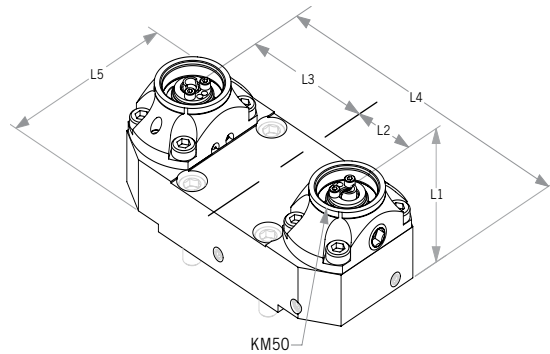
For Machines:

- + ST-20, ST-25
- + ST-30, ST-35

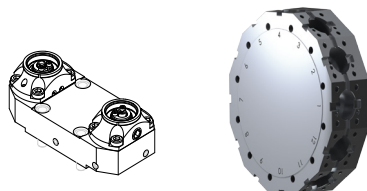
- + Coolant Option: Internal Coolant

KM50 Twin Turning Tool

- ▶ Bolt-On KM50 Twin Turning Tool Holder for BMT65 12 Station Turret. See tool/turret diagram below for compatible machines. Contact support@commandtool.com for more information.



KM50 Twin Turning Tool	Part No.	L1	L2	L3	L4	L5	Modular Type
	15.BMTKM50SKT250	70 mm	71 mm	71 mm	197 mm	95 mm	KM50



BMT65 Turret

Standard For Machines:

- + ST-20Y, ST-25Y
- + ST-30Y, ST-35Y
- + DS-30Y

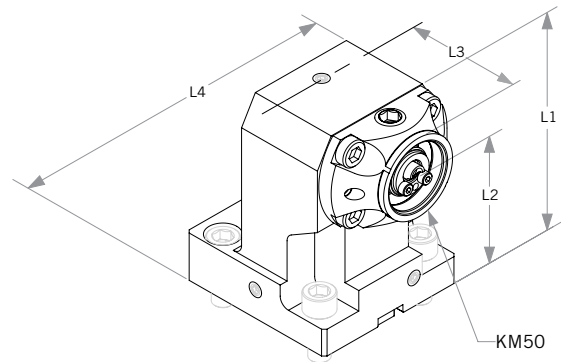
BMT65 Turret **Optional**
For Machines:

- + ST-20, ST-25
- + ST-30, ST-35

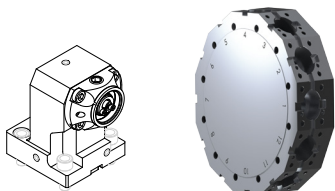
- + Coolant Option: Internal Coolant

KM50 Boring Bar Holder

- ▶ Bolt-On KM50 Boring Bar Holder for BMT65 12 Station Turret. See tool/turret diagram below for compatible machines. Contact support@commandtool.com for more information.



KM50 Boring Bar Holder	Part No.	L1	L2	L3	L4	Modular Type
	19.BMTKM50SKT250X100	128mm	100mm	70mm	96mm	KM50



BMT65 Turret

Standard For Machines:

- + ST-20Y, ST-25Y
- + ST-30Y, ST-35Y
- + DS-30Y

BMT65 Turret **Optional**

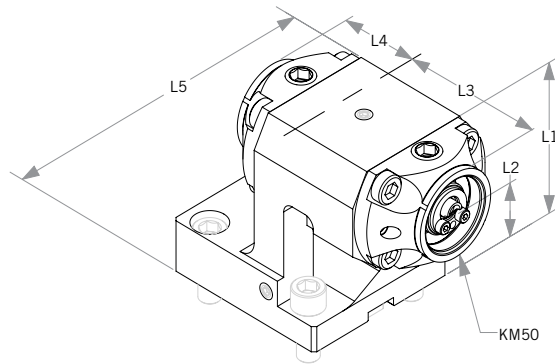
For Machines:

- + ST-20, ST-25
- + ST-30, ST-35

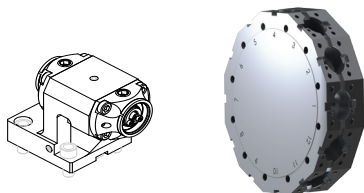
- + Coolant Option: Internal Coolant

KM50 Twin Boring Bar Holder

- ▶ Bolt-On KM50 Twin Boring Bar Holder for BMT65 12 Station Turret. See tool/turret diagram below for compatible machines. Contact support@commandtool.com for more information.



KM50 Twin Boring Bar Holder	Part No.	L1	L2	L3	L4	L5	Modular Type
	17.BMTKM50SKT250X85	112.5mm	85mm	103mm	27mm	95mm	KM50



BMT65 Turret

Standard For Machines:

- + ST-20Y, ST-25Y
- + ST-30Y, ST-35Y
- + DS-30Y

BMT65 Turret Optional

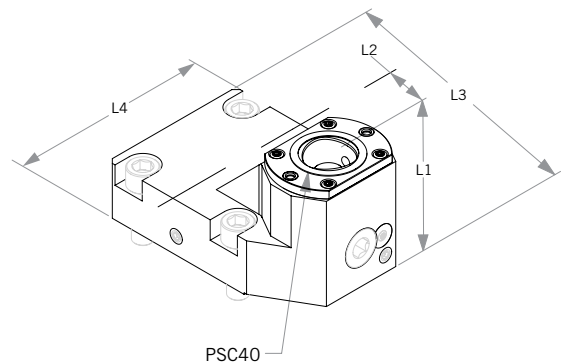
For Machines:

- + ST-20, ST-25
- + ST-30, ST-35

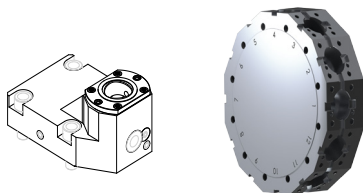
- + Coolant Option: Internal Coolant

PSC 40 Turning Tool

- ▶ Bolt-On PSC 40 Turning Tool Holder for BMT65 12 Station Turret. See tool/turret diagram below for compatible machines. Contact support@commandtool.com for more information.



PSC 40 Turning Tool	Part No.	L1	L2	L3	L4	Modular Type
	4.BMTC4SKT250	74 mm	65 mm	139 mm	94 mm	PSC 40



BMT65 Turret

Standard For Machines:

- + ST-20Y, ST-25Y
- + ST-30Y, ST-35Y
- + DS-30Y

BMT65 Turret **Optional**

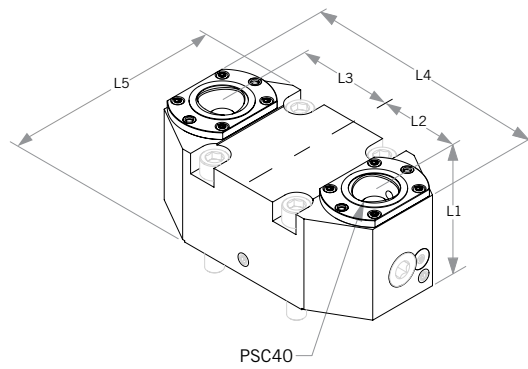
For Machines:

- + ST-20, ST-25
- + ST-30, ST-35

- + Coolant Option: Internal Coolant

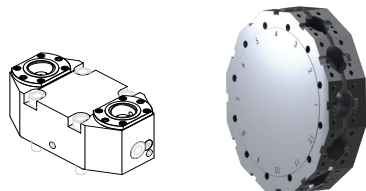
PSC 40 Twin Turning Tool

- ▶ Bolt-On PSC 40 Twin Turning Tool Holder for BMT65 12 Station Turret. See tool/turret diagram below for compatible machines. Contact support@commandtool.com for more information.



PSC40

PSC 40 Twin Turning Tool	Part No.	L1	L2	L3	L4	L5	Modular Type
	15.BMTC4SKT250	74mm	65mm	65mm	178mm	95mm	PSC 40



BMT65 Turret

Standard For Machines:

- + ST-20Y, ST-25Y
- + ST-30Y, ST-35Y
- + DS-30Y

BMT65 Turret Optional

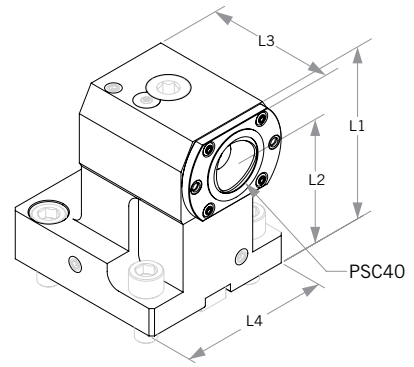
For Machines:

- + ST-20, ST-25
- + ST-30, ST-35

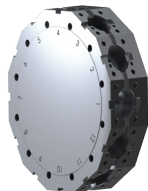
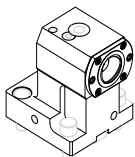
- + Coolant Option: Internal Coolant

PSC 40 Boring Bar Holder

- ▶ Bolt-On PSC 40 Boring Bar Holder for BMT65 12 Station Turret. See tool/turret diagram below for compatible machines. Contact support@commandtool.com for more information.



PSC 40 Boring Bar Holder	Part No.	L1	L2	L3	L4	Modular Type
	19.BMTC4SKT250	114mm	90mm	113mm	95mm	PSC 40



BMT65 Turret

Standard For Machines:

- + ST-20Y, ST-25Y
- + ST-30Y, ST-35Y
- + DS-30Y

BMT65 Turret **Optional**

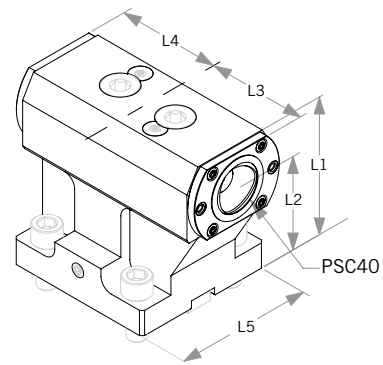
For Machines:

- + ST-20, ST-25
- + ST-30, ST-35

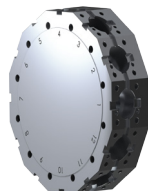
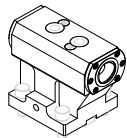
- + Coolant Option: Internal Coolant

PSC 40 Twin Boring Bar Holder

- ▶ Bolt-On PSC 40 Twin Boring Bar Holder for **BMT65** 12 Station Turret. See tool/turret diagram below for compatible machines. Contact support@commandtool.com for more information.



PSC 40 Twin Boring Bar Holder	Part No.	L1	L2	L3	L4	L5	Modular Type
	17.BMTC4DSKT250	114mm	90mm	77mm	63mm	95mm	PSC 40



BMT65 Turret

Standard For Machines:

- + ST-20Y, ST-25Y
- + ST-30Y, ST-35Y
- + DS-30Y

BMT65 Turret **Optional**
For Machines:

- + ST-20, ST-25
- + ST-30, ST-35

- + Coolant Option: Internal Coolant

Angle Heads

 **Made in the USA for your Haas Mill**



- ▶ Angle Heads have been developed for milling complex part geometries, complex milling inside parts and simple boring in a missing machine axis. Angle Heads must be used with a stop block and are designed to work with automatic tool changers.

Angle Head Features

- + Solution for lack of machining axis
- + Machine hard to reach parts
- + Center Boring
- + Steeplless angle adjustment around the horizontal axis with tangentially acting double cone clamp MR> 250 Nm

Variations

Basic



Duplex



Offset



Contact support@commandtool.com for more information

Additional Tooling for BMT65

▶ Gear Hobbers

Gear hobbing on CNC lathes without B-axis



▶ Swivel Heads

Compact and stable – Command's new swivel head



▶ KM™ Quick Change

As announced at IMTS 2016, EWS Group/Command Tooling Systems forged a strategic partnership with Kennametal to provide a wide assortment of live and static turret blocks equipped with KM® quick-change connections, ER-style rotary tool adapters, KM4X63™ and more



▶ Varia VX Quick Change

The new quick-change system for heavy cutting



Contact support@commandtool.com for more information



Command Tooling Systems

13931 Sunfish Lake Blvd.
Ramsey, MN 55303 USA

PH: 800.328.2197 • 763.576.6910

FX: 800.555.7694 • 763.576.6911

email: SUPPORT@COMMANDTOOL.COM

web: WWW.COMMANDTOOL.COM

10/17/2019